

PARTS CATALOG

**iR1200/iR1300/iR1500/iR1600
Series**

Canon

Jun 11 2004

PREFACE

This Parts Catalog contains listings of parts used

Diagrams are provided with the listings to aid the service technician in identifying clearly, the item to be ordered.

Whenever ordering parts, consult this Parts Catalog for all of the information pertaining to each item. Be sure to include, in the Parts Request, the full item description, the item part number, and the quantity.

COPYRIGHT (C) 1999 CANON INC.

Use of this manual should be strictly supervised to avoid disclosure of confidential information.

Contents

Parts List Index

iR1200/iR1300/iR1500/iR1600 Series 1-1

iR1200/iR1300/iR1500/iR1600 Series

A	ASSEMBLY LOCATION DIAGRAM	2-1
100	EXTERNAL COVERS, PANELS, ETC.	2-3
101	INTERNAL COMPONENTS 1	2-6
102	INTERNAL COMPONENTS 2	2-9
103	INTERNAL COMPONENTS 3	2-13
130	CONTROL PANEL ASSEMBLY	2-16
160	COPYBOARD COVER ASSEMBLY(ZTY,MTC,PVZ, QTL,UVB,UVC,UVD,UVE,ZTW,UMA,QRE)	2-20
161	ADF ASSEMBLY(MTD,MTE,QTM,UVF,UVG,UVH, UVJ,ZTZ,ZUB,MTF,MTG,UNA,UPA,QRF)	2-21
210	READER ASSEMBLY	2-27
220	READER DRIVE ASSEMBLY	2-30
240	ADF DRIVE ASSEMBLY(MTD,MTE,QTM,UVF,UVG, UVH,UVJ,ZTZ,ZUB,MTF,MTG,UNA,UPA,QRF)	2-32
250	MAIN DRIVE ASSEMBLY	2-33
300	CASSETTE(ZTY)	2-35
301	CASSETTE(QTL,UVB,UVC,UVD,UVE,QTM,UVF,UVG UVH,UVJ,UMA,UNA,UPA)	2-37
302	CASSETTE(MTC,PVZ,MTD,MTE,ZTW,ZTZ,ZUB,MTF MTG,QRE,QRF)	2-39
320	REGISTRATION ASSEMBLY	2-41
330	PAPER FEEDER ASSEMBLY	2-43
460	LASER SCANNER ASSEMBLY	2-46
640	DEVELOPING ASSEMBLY	2-47
810	FIXING ASSEMBLY	2-51
930	PCB ASSEMBLY	2-54
950	IMAGE PROCESSOR PCB ASSEMBLY	2-56
B	LIST OF CONNECTORS	2-57

NUMERICAL INDEX

iR1200/iR1300/iR1500/iR1600 Series

PARTS NUMBER	FIGURE & KEY NO.	PARTS NUMBER	FIGURE & KEY NO.	PARTS NUMBER	FIGURE & KEY NO.
FB2-5303-000	102 - 1	FB5-0233-000	302 - 11	FB6-0172-000	210 - 2
FB2-5502-000	103 - 1	FB5-0234-000	302 - 11	FB6-0173-000	210 - 3
FB2-9653-000	330 - 1	FB5-2843-00S	301 - 6	FB6-0176-000	210 - 4
FB3-0687-000	640 - 1	FB5-2844-00S	301 - 7	FB6-0177-000	210 - 5
FB3-3395-000	161 - 1	FB6-0074-000	101 - 1	FB6-0178-000	210 - 15
FB3-3396-000	161 - 2	FB6-0075-000	103 - 2	FB6-0179-000	103 - 6
FB4-9817-030	330 - 23A	FB6-0076-000	103 - 3	FB6-0181-000	210 - 6
FB4-9819-000	330 - 23B	FB6-0077-000	102 - 2	FB6-0182-000	210 - 7
FB4-9820-000	330 - 23C	FB6-0079-000	330 - 2	FB6-0183-000	210 - 8
FB4-9847-000	330 - 23D	FB6-0080-000	330 - 3	FB6-0184-000	210 - 9
FB5-0159-000	300 - 1	FB6-0081-000	330 - 4	FB6-0185-000	210 - 10
FB5-0159-000	301 - 1	FB6-0082-000	330 - 5	FB6-0187-000	161 - 3
FB5-0161-000	300 - 2	FB6-0085-000	100 - 1	FB6-0189-000	210 - 11
FB5-0162-000	301 - 2	FB6-0086-000	102 - 3	FB6-0191-000	210 - 12
FB5-0163-000	301 - 3	FB6-0094-000	103 - 4	FB6-0197-000	210 - 13
FB5-0164-000	301 - 4	FB6-0114-000	810 - 1	FB6-0198-000	210 - 14
FB5-0165-000	300 - 3	FB6-0115-000	810 - 2	FB6-0202-000	210 - 24A
FB5-0165-000	300 - 4	FB6-0116-000	810 - 3	FB6-0203-000	210 - 24B
FB5-0167-000	300 - 5	FB6-0121-000	810 - 4	FB6-0204-000	210 - 15
FB5-0168-000	300 - 6	FB6-0122-000	810 - 5	FB6-0208-000	210 - 16
FB5-0169-000	300 - 7	FB6-0123-020	100 - 2	FB6-0210-000	210 - 17
FB5-0170-000	300 - 8	FB6-0124-020	100 - 3	FB6-0211-000	210 - 18
FB5-0171-000	300 - 9	FB6-0125-000	100 - 4	FB6-0212-000	210 - 19
FB5-0171-000	300 - 10	FB6-0126-000	100 - 5	FB6-0214-000	220 - 1
FB5-0172-000	300 - 11	FB6-0127-000	100 - 6	FB6-0215-000	220 - 2
FB5-0173-000	300 - 12	FB6-0128-000	100 - 7	FB6-0216-000	220 - 3
FB5-0173-000	301 - 5	FB6-0133-000	130 - 1	FB6-0219-000	220 - 4
FB5-0173-000	302 - 1	FB6-0138-000	130 - 2	FB6-0224-000	210 - 20
FB5-0175-000	300 - 13	FB6-0139-000	130 - 3	FB6-0229-000	210 - 21
FB5-0176-000	300 - 14	FB6-0140-000	130 - 4	FB6-0233-000	220 - 5
FB5-0177-000	300 - 15	FB6-0141-000	130 - 5	FB6-0234-000	103 - 7
FB5-0178-000	300 - 20A	FB6-0145-000	130 - 6	FB6-0235-000	220 - 6
FB5-0178-000	300 - 21A	FB6-0147-000	103 - 5	FB6-0237-000	210 - 22
FB5-0180-000	300 - 16	FB6-0157-000	330 - 6	FB6-0241-000	330 - 14
FB5-0181-000	300 - 17	FB6-0158-000	330 - 7	FB6-0242-000	100 - 8
FB5-0218-000	302 - 2	FB6-0160-000	320 - 1	FB6-0243-000	100 - 9
FB5-0219-000	302 - 3	FB6-0162-000	330 - 8	FB6-0245-000	330 - 15
FB5-0220-000	302 - 4	FB6-0164-000	102 - 4	FB6-0248-000	330 - 16
FB5-0221-000	302 - 5	FB6-0165-000	102 - 5	FB6-0249-000	101 - 2
FB5-0222-000	302 - 6	FB6-0166-000	330 - 9	FB6-0250-000	100 - 10
FB5-0229-000	302 - 7	FB6-0167-000	330 - 10	FB6-0251-000	101 - 3
FB5-0230-000	302 - 8	FB6-0168-000	330 - 11	FB6-0252-000	103 - 8
FB5-0231-000	302 - 9	FB6-0169-000	330 - 12	FB6-0253-000	103 - 9
FB5-0232-000	302 - 10	FB6-0171-000	210 - 1	FB6-0256-000	103 - 10

NUMERICAL INDEX

iR1200/iR1300/iR1500/iR1600 Series

PARTS NUMBER	FIGURE & KEY NO.	PARTS NUMBER	FIGURE & KEY NO.	PARTS NUMBER	FIGURE & KEY NO.
FB6-0258-000	330 - 13	FB6-2324-000	130 - 8	FB6-4702-000	640 - 16
FB6-0260-000	330 - 17	FB6-2329-020	161 - 4	FB6-4703-000	640 - 17
FB6-0261-000	330 - 18	FB6-2331-020	161 - 4	FB6-4704-000	640 - 18
FB6-0265-000	101 - 4	FB6-2333-020	161 - 4	FB6-4705-000	640 - 19
FB6-0268-000	101 - 5	FB6-4237-000	160 - 3	FB6-4706-000	640 - 20
FB6-0269-000	101 - 6	FB6-4556-000	102 - 11	FB6-4707-000	640 - 21
FB6-0274-000	330 - 19	FB6-4557-000	102 - 12	FB6-4708-000	640 - 22
FB6-0276-000	102 - 6	FB6-4573-000	250 - 2	FB6-4709-000	640 - 23
FB6-0277-000	102 - 7	FB6-4633-000	100 - 15	FB6-4710-000	640 - 24
FB6-0278-000	102 - 8	FB6-4638-000	103 - 11	FB6-4711-000	640 - 25
FB6-0279-000	100 - 11	FB6-4641-000	100 - 20	FB6-4712-000	640 - 26
FB6-0283-000	100 - 12	FB6-4643-000	100 - 23A	FB6-4713-000	640 - 39D
FB6-0284-000	100 - 12	FB6-4645-000	100 - 24A	FB6-4761-000	640 - 40A
FB6-0286-000	330 - 20	FB6-4647-000	102 - 13	FB6-4762-000	640 - 27
FB6-0289-000	102 - 9	FB6-4648-000	102 - 14	FB6-4763-000	640 - 39E
FB6-0290-000	930 - 1	FB6-4650-000	100 - 16	FB6-4764-000	640 - 28
FB6-0291-000	101 - 7	FB6-4652-000	102 - 15	FB6-4765-000	640 - 39F
FB6-0292-000	930 - 2	FB6-4653-000	102 - 16	FB6-4766-000	640 - 29
FB6-0293-000	930 - 3	FB6-4654-000	102 - 17	FB6-4768-000	100 - 17
FB6-0295-000	930 - 4	FB6-4655-000	102 - 18	FB6-4782-000	640 - 30
FB6-0296-000	330 - 21	FB6-4657-000	102 - 19	FB6-4783-000	100 - 18
FB6-0297-000	330 - 22	FB6-4658-000	102 - 20	FB6-4784-000	640 - 31
FB6-0301-000	102 - 41	FB6-4660-000	102 - 21	FB6-4785-000	100 - 19
FB6-0303-000	102 - 9	FB6-4661-000	102 - 22	FB6-4788-000	100 - 20
FB6-0307-000	102 - 10	FB6-4662-000	100 - 22A	FB6-4789-000	100 - 20
FB6-0314-000	101 - 10A	FB6-4666-000	101 - 8	FB6-4790-000	100 - 20
FB6-0321-000	250 - 1	FB6-4667-000	101 - 9	FB6-4791-000	100 - 20
FB6-0324-000	210 - 23	FB6-4670-000	640 - 39A	FB6-4792-000	100 - 20
FB6-0328-000	300 - 19	FB6-4672-000	640 - 2	FB6-4804-000	130 - 9
FB6-0328-000	301 - 8	FB6-4674-000	640 - 39B	FB6-4805-000	130 - 9
FB6-0329-000	302 - 12	FB6-4676-000	640 - 39C	FB6-4806-000	130 - 9
FB6-0330-000	160 - 1	FB6-4677-000	640 - 3	FB6-4807-000	130 - 9
FB6-0332-000	160 - 2	FB6-4679-000	640 - 4	FB6-4808-000	130 - 9
FB6-2299-000	130 - 7	FB6-4684-000	640 - 5	FB6-4809-000	130 - 10
FB6-2302-000	320 - 3A	FB6-4685-000	640 - 6	FB6-4810-000	130 - 10
FB6-2303-000	100 - 12	FB6-4687-000	640 - 7	FB6-4811-000	130 - 10
FB6-2305-000	100 - 13	FB6-4689-000	640 - 8	FB6-4812-000	130 - 10
FB6-2306-000	100 - 14	FB6-4690-000	640 - 9	FB6-4813-000	130 - 10
FB6-2307-000	100 - 14	FB6-4691-000	640 - 10	FB6-4814-000	130 - 10
FB6-2308-000	100 - 14	FB6-4692-000	640 - 11	FB6-4815-000	130 - 11
FB6-2311-000	130 - 10	FB6-4693-000	640 - 12	FB6-4816-000	130 - 12
FB6-2312-000	130 - 10	FB6-4694-000	640 - 13	FB6-4817-000	130 - 13
FB6-2313-000	130 - 10	FB6-4700-000	640 - 14	FB6-4818-000	130 - 14
FB6-2323-000	130 - 8	FB6-4701-000	640 - 15	FB6-4819-000	130 - 12

NUMERICAL INDEX

iR1200/iR1300/iR1500/iR1600 Series

PARTS NUMBER	FIGURE & KEY NO.	PARTS NUMBER	FIGURE & KEY NO.	PARTS NUMBER	FIGURE & KEY NO
FB6-4822-000	640 - 32	FC5-0019-000	161 - 18	FF6-1443-000	B - J501
FB6-4823-000	640 - 33	FC5-0020-000	161 - 19	FF6-1455-000	103 - 12
FB6-4824-000	640 - 34	FC5-0021-000	161 - 20	FF6-1456-000	210 - 26
FB6-4825-000	640 - 35	FC5-0022-000	161 - 21	FF6-1460-000	101 - 20
FB6-4826-000	640 - 44A	FC5-0023-020	161 - 22	FF6-2289-000	640 - 39
FB6-4827-000	640 - 40B	FC5-0024-000	161 - 23	FF6-2290-000	640 - 40
FB6-4828-000	640 - 40C	FC5-0025-000	161 - 24	FF6-2295-000	640 - 41
FB6-4829-000	640 - 39G	FC5-0026-000	161 - 25	FF6-2296-000	640 - 42
FB6-4830-000	100 - 20	FC5-0027-000	161 - 26	FF6-2297-000	640 - 43
FB6-4831-000	100 - 21	FC5-0028-000	161 - 27	FF6-2299-000	640 - 44
FB6-4832-000	100 - 21	FC5-0029-000	161 - 28	FF6-2301-000	100 - 22
FB6-4833-000	100 - 21	FC5-0034-000	161 - 29	FG3-3051-00S	103 - 13
FB6-4835-000	640 - 36	FC5-0035-000	161 - 30	FG6-7923-000	250 -
FB6-4837-000	640 - 37	FC5-0036-000	161 - 31	FG6-7924-000	250 - 4
FB6-4838-000	640 - 38	FC5-0037-000	161 - 32	FG6-7925-000	460 -
FB6-5504-000	161 - 5	FC5-0038-000	161 - 33	FG6-7926-000	320 -
FB6-5506-000	161 - 5	FC5-0039-000	102 - 23	FG6-7933-000	220 -
FB6-5507-000	161 - 5	FC5-0039-000	161 - 34	FG6-7944-000	160 -
FB6-5512-000	320 - 2	FC5-0047-000	161 - 35	FG6-7945-000	810 -
FB6-5514-000	161 - 6	FC5-0052-000	161 - 36	FG6-7946-000	810 - 7
FB6-5515-000	161 - 6	FC5-0054-000	161 - 37	FG6-7947-000	810 -
FB6-5515-000	161 - 6	FC5-0057-000	161 - 38	FG6-7948-000	810 - 7
FB6-5516-000	161 - 6	FC5-0060-000	161 - 43A	FG6-7953-000	101 - 10
FB6-5519-000	250 - 3	FC5-0061-020	161 - 45A	FG6-7954-000	330 - 23
FB6-6355-000	160 - 4	FC5-0063-000	161 - 43B	FG6-7972-000	101 - 11
FB6-6355-000	161 - 83	FC5-0064-000	161 - 43C	FG6-8530-000	101 - 21
FB6-6657-000	100 - 20	FC5-0065-000	240 - 1	FG6-8547-000	930 - 5
FB6-6658-000	100 - 20	FC5-0066-000	161 - 39	FG6-8548-000	930 - 6
FB6-6659-000	100 - 20	FC5-0070-000	161 - 40	FG6-8550-000	220 - 7
FB6-6660-000	100 - 20	FC5-6087-000	161 - 44A	FG6-8800-000	210 - 27
FB6-6661-000	100 - 20	FC5-6088-000	161 - 44B	FG6-8801-000	210 - 28
FB6-6662-000	100 - 20	FC5-7552-000	161 - 84	FG6-8804-000	130 - 15
FC3-0030-000	330 - 1	FE5-3194-000	810 - 23	FG6-8805-000	130 - 15
FC5-0002-000	161 - 7	FE5-3195-000	101 - 4	FG6-8829-000	103 - 14
FC5-0003-000	161 - 8	FF5-9033-030	300 - 18	FG6-8830-000	103 - 14
FC5-0004-000	161 - 9	FF5-9034-000	300 - 20	FG6-8831-000	103 - 14
FC5-0005-000	161 - 10	FF5-9035-000	300 - 21	FG6-8833-000	930 - 7
FC5-0006-000	161 - 11	FF5-9073-000	302 - 13	FG6-8834-000	250 - 5
FC5-0007-000	161 - 12	FF5-9074-000	302 - 14	FG6-8836-000	161 - 41
FC5-0009-000	161 - 13	FF6-1435-000	210 - 24	FG6-8839-000	210 - 29
FC5-0011-000	161 - 14	FF6-1437-000	810 - 6	FG6-8840-000	103 - 15
FC5-0013-000	161 - 15	FF6-1441-000	320 - 3	FG6-8841-000	103 - 16
FC5-0014-000	161 - 16	FF6-1443-000	210 - 25	FG6-8844-000	103 - 17
FC5-0018-000	161 - 17	FF6-1443-000	B - J317	FG6-8849-000	810 - 8

NUMERICAL INDEX

iR1200/iR1300/iR1500/iR1600 Series

PARTS NUMBER	FIGURE & KEY NO.	PARTS NUMBER	FIGURE & KEY NO.	PARTS NUMBER	FIGURE & KEY NO.
FG6-9504-000	330 - 24	FH2-6935-000	B - J6	FL2-0007-030	161 - 45
FG6-9513-000	130 -	FH2-6935-000	B - J321	FL2-0008-000	161 - 46
FG6-9514-000	130 -	FH2-6936-000	103 - 23	FM1-0443-000	930 - 8
FG6-9515-000	130 -	FH2-6936-000	B - J1	FM1-0451-000	950 -
FG6-9516-000	130 -	FH2-6936-000	B - J320	FM1-0452-000	950 -
FG6-9517-000	130 -	FH2-6937-000	B - J318	FM1-0453-000	950 -
FG6-9518-000	130 -	FH2-7012-000	930 - 15	FM1-0457-000	210 - 27
FG6-9519-000	130 -	FH2-7012-000	B - J251	FM1-0458-000	210 - 28
FG6-9528-000	640 -	FH2-7012-000	B - J651	FM1-0459-000	103 - 20
FG6-9532-000	640 - 45	FH2-7062-000	210 - 30	FM1-0461-000	130 -
FG6-9533-000	640 - 46	FH2-7062-000	B - J503	FM1-0462-000	130 -
FG6-9551-000	100 - 23	FH2-7067-000	102 - 27	FM1-0463-000	130 -
FG6-9552-000	100 - 24	FH2-7067-000	B - J316	FM1-0464-000	130 -
FG6-9555-000	930 - 8	FH2-7067-000	B - J801	FM1-0465-000	130 -
FG6-9556-000	102 - 24	FH2-7068-000	103 - 22	FM1-0466-000	130 -
FG6-9560-000	950 - 1	FH2-7069-000	103 - 23	FM1-0467-000	130 -
FG6-9573-000	950 -	FH2-7070-000	103 - 24	FM1-0468-000	130 - 15
FG6-9575-000	950 -	FH2-7070-000	B - J318	FM1-0469-000	130 - 15
FG6-9577-000	950 -	FH2-7070-000	B - J701	FM1-0470-000	810 -
FG6-9848-000	102 - 25	FH2-7080-000	930 - 11	FM2-0002-030	161 - 47
FG6-9849-000	102 - 26	FH3-2639-000	930 - 16	FM2-0004-000	240 -
FG6-9850-000	103 - 18	FH3-2643-000	930 - 16	FM2-0015-000	161 - 48
FG6-9851-000	101 - 12	FH3-2651-000	930 - 16	FM5-0992-000	810 -
FG6-9852-000	930 - 9	FH5-1088-000	250 - 6	FM5-0995-000	460 -
FG6-9853-000	102 - 24A	FH5-3221-000	130 - 16	FM5-1012-000	250 -
FG6-9854-000	103 - 19	FH5-3415-000	103 - 13	FM5-1014-000	810 - 7
FG6-9860-000	103 - 20	FH5-3416-000	103 - 13	FS1-1512-000	161 - 49
FH2-5276-030	930 - 10	FH5-3416-000	103 - 13	FS1-1569-000	161 - 50
FH2-5762-000	930 - 12	FH5-3590-000	103 - 13	FS2-3511-000	161 - 51
FH2-6578-000	930 - 13	FH5-3625-000	103 - 13	FS2-9478-000	220 - 9
FH2-6929-000	B - J504	FH5-3626-000	130 - 16	FS5-9739-000	220 - 10
FH2-6931-000	210 - 31	FH6-0813-000	130 - 17	FS5-9740-000	161 - 52
FH2-6931-000	B - J502	FH6-0846-000	130 - 17	FS5-9740-000	210 - 33
FH2-6931-000	B - J601	FH6-1921-000	102 - 28	FS6-1091-000	640 - 47
FH2-6932-000	103 - 21	FH6-1922-000	220 - 8	FS6-1094-000	640 - 48
FH2-6932-000	B - J315	FH6-1923-000	250 - 6	FS6-8992-000	100 - 25
FH2-6932-000	B - J401	FH6-5037-000	330 - 25	FS7-0457-000	300 - 22
FH2-6933-000	930 - 14	FH6-5038-000	103 - 25	FS7-2201-000	300 - 23
FH2-6933-000	B - J204	FH7-6337-000	130 - 18	FS7-2201-000	301 - 9
FH2-6933-000	B - J303	FH7-7565-000	210 - 32	FS7-2202-000	300 - 24
FH2-6934-000	102 - 27	FH7-7611-000	102 - 29	FS7-2202-000	301 - 10
FH2-6934-000	B - J316	FL2-0004-000	161 - 42	FS7-2211-000	302 - 15
FH2-6934-000	B - J801	FL2-0005-000	161 - 43	FS7-2687-000	210 - 34
FH2-6935-000	103 - 22	FL2-0006-000	161 - 44	FS7-2689-000	330 - 26

NUMERICAL INDEX

iR1200/iR1300/iR1500/iR1600 Series

PARTS NUMBER	FIGURE & KEY NO.	PARTS NUMBER	FIGURE & KEY NO.	PARTS NUMBER	FIGURE & KEY NO
FS7-2690-000	330 - 27	FU5-1001-000	161 - 56	NPN	B -
FS7-2691-000	100 - 26	FU5-1002-000	161 - 57	NPN	B - J307
FS7-2692-000	100 - 27	FU5-2001-000	161 - 58	NPN	B - J309
FS7-2693-000	100 - 28	FU5-2002-000	161 - 59	NPN	B - J402
FS7-2694-000	102 - 30	FU5-2003-000	161 - 60	NPN	B - J403
FS7-2695-000	103 - 26	FU5-2004-000	161 - 61	NPN	B - J404
FS7-2696-000	103 - 27	FU5-2005-000	161 - 62	NPN	B - J504
FS7-2697-000	101 - 13	FU5-2006-000	161 - 63	NPN	B - J801
FS7-2698-000	210 - 35	FU5-2007-000	161 - 64	NPN	B - J1051
FS7-2700-000	810 - 9	FU5-2008-000	161 - 65	NPN	B - J1102
FS7-2701-000	220 - 11	FU5-2009-000	161 - 66	NPN	B - J2521
FS7-2706-000	101 - 22	FU5-2010-000	161 - 67	NPN	B - J3081
FS7-2921-000	102 - 31	FU5-3001-000	161 - 68	NPN	B - J3111
FS7-2922-000	102 - 32	FU5-3002-000	161 - 69	NPN	B - J3112
FS7-2923-000	102 - 33	FU5-3003-000	161 - 70	NPN	B - J3113
FS7-2924-000	102 - 34	FU5-3004-000	240 - 3	NPN	B - J3114
FS7-2926-000	640 - 49	FU5-3006-000	161 - 71	NPN	B - J3122
FS7-2927-000	640 - 50	FU5-3007-000	161 - 72	NPN	B - J3123
FS7-2928-000	640 - 51	FU5-6001-000	161 - 73	NPN	B - J3124
FS7-2930-000	640 - 63	FU5-6002-000	161 - 74	NPN	B - J3126
FS7-2933-000	101 - 14	FU5-6003-000	161 - 75	NPN	B - J3140
FU3-0068-000	250 - 7	HB1-3023-000	130 - 19	NPN	B - J6521
FU3-0069-000	250 - 8	HB1-5127-000	130 - 20	NPN	B - J6530
FU3-0070-000	250 - 9	HG1-4365-000	103 - 28	PCB	B - J1
FU3-0071-000	320 - 4	HG5-2587-000	103 - 28	PCB	B - J2
FU3-0072-000	101 - 15	HG5-2598-000	103 - 28	PCB	B - J4
FU3-0073-000	330 - 28	HH2-2478-000	103 - 30	PCB	B - J6
FU3-0074-000	330 - 29	HH2-2654-000	103 - 29	PCB	B - J7
FU3-0075-000	220 - 12	HH2-2824-000	103 - 30	PCB	B - J7
FU3-0076-000	220 - 13	HH2-3167-000	103 - 30	PCB	B - J8
FU3-0107-000	220 - 14	MB5-0232-000	640 - 60	PCB	B - J8
FU3-0430-000	640 - 52	MF4-0008-000	640 - 61	PCB	B - J10
FU3-0431-000	640 - 53	MF4-0009-000	640 - 62	PCB	B - J10
FU3-0432-000	640 - 54	NPN	100 -	PCB	B - J81
FU3-0433-000	640 - 55	NPN	101 -	PCB	B - J102
FU3-0434-000	640 - 56	NPN	102 -	PCB	B - J103
FU3-0435-000	640 - 57	NPN	103 -	PCB	B - J104
FU3-0436-000	640 - 58	NPN	161 -	PCB	B - J105
FU3-0437-000	640 - 59	NPN	210 -	PCB	B - J106
FU3-0441-000	330 - 24A	NPN	300 -	PCB	B - J107
FU5-0001-000	161 - 53	NPN	301 -	PCB	B - J108
FU5-0001-000	161 - 54	NPN	302 -	PCB	B - J109
FU5-0002-000	161 - 55	NPN	330 -	PCB	B - J201
FU5-0002-000	240 - 2	NPN	930 -	PCB	B - J202

NUMERICAL INDEX

iR1200/iR1300/iR1500/iR1600 Series

PARTS NUMBER	FIGURE & KEY NO.	PARTS NUMBER	FIGURE & KEY NO.	PARTS NUMBER	FIGURE & KEY NO
PCB	B - J203	RB2-2903-000	101 - 10E	RS6-0450-000	250 - 21
PCB	B - J204	RB2-2909-000	320 - 5	RS6-0458-000	810 - 22
PCB	B - J210	RB2-2910-000	320 - 6	RS6-2022-000	330 - 32
PCB	B - J251	RB2-2911-000	320 - 7	RS6-2026-000	320 - 16
PCB	B - J252	RB2-2912-000	320 - 8	RS6-2027-020	250 - 22
PCB	B - J301	RB2-2913-000	320 - 9	RS6-2029-000	810 - 23
PCB	B - J302	RB2-2918-000	320 - 10	RS6-2030-000	101 - 22
PCB	B - J303	RB2-2919-000	320 - 11	RS6-2031-000	250 - 23
PCB	B - J304	RB2-2920-000	320 - 12	RS6-8382-000	460 - 1
PCB	B - J307	RB2-2921-000	320 - 13	RU5-8126-000	460 - 1
PCB	B - J308	RB2-2922-000	320 - 14	SYS	B - J2101
PCB	B - J309	RB2-2923-000	320 - 3B	VS1-0279-003	B - J3140
PCB	B - J310	RB2-2925-020	330 - 24B	VS1-0842-003	B - J109
PCB	B - J311	RB2-2926-020	330 - 31	VS1-0842-003	B - J201
PCB	B - J312	RB2-2933-000	320 - 15	VS1-0842-003	B - J304
PCB	B - J314	RB2-2935-000	250 - 10	VS1-0842-003	B - J1051
PCB	B - J315	RB2-2936-000	250 - 11	VS1-0842-003	B - J1101
PCB	B - J316	RB2-2943-000	250 - 12	VS1-0842-003	B - J6521
PCB	B - J317	RB2-2947-000	250 - 13	VS1-0842-004	B - J105
PCB	B - J318	RB2-2949-000	250 - 14	VS1-0842-004	B - J1102
PCB	B - J320	RB2-2950-000	250 - 15	VS1-0842-004	B - J3121
PCB	B - J321	RB2-2973-000	810 - 10	VS1-0861-003	B - J652
PCB	B - J352	RB2-2975-000	810 - 11	VS1-5057-003	250 - 5A
PCB	B - J391	RB2-2977-000	810 - 12	VS1-5057-003	930 - 5A
PCB	B - J401	RB2-2978-000	810 - 13	VS1-5057-003	930 - 9A
PCB	B - J402	RB2-2985-000	810 - 14	VS1-5057-003	B - J1101
PCB	B - J403	RB2-2986-000	810 - 15	VS1-5057-003	B - J2520
PCB	B - J404	RB2-3041-020	101 - 16	VS1-5057-003	B - J3124
PCB	B - J501	RB2-3042-020	101 - 17	VS1-5057-004	101 - 23
PCB	B - J502	RB2-3043-000	101 - 18	VS1-5057-004	210 - 29A
PCB	B - J503	RB2-3044-000	101 - 19	VS1-5057-004	930 - 6A
PCB	B - J601	RB2-3046-000	100 - 29	VS1-5057-004	B - J1102
PCB	B - J651	RB2-3084-000	101 - 21D	VS1-5057-004	B - J3102
PCB	B - J652	RB2-6357-000	810 - 17	VS1-5057-004	B - J3121
PCB	B - J653	RB2-6402-000	810 - 16	VS1-5057-006	161 - 41A
PCB	B - J701	RF5-2601-000	810 - 18	VS1-5057-006	B - J3111
RB2-2837-000	103 - 31	RF5-2603-000	810 - 19	VS1-5057-011	930 - 9B
RB2-2843-000	330 - 30	RG9-1473-000	250 - 16	VS1-5057-011	B - J2101
RB2-2883-000	101 - 21A	RS6-0442-000	810 - 20	VS1-5076-003	B - J653
RB2-2884-000	101 - 21B	RS6-0443-000	810 - 21	VS1-5076-003	B - J6530
RB2-2885-000	101 - 21C	RS6-0446-000	250 - 17	VS1-5824-003	B - J3113
RB2-2900-000	101 - 10B	RS6-0447-000	250 - 18	VS1-5824-003	B - J3114
RB2-2901-000	101 - 10C	RS6-0448-000	250 - 19	VS1-5824-004	B - J103
RB2-2902-000	101 - 10D	RS6-0449-000	250 - 20	VS1-5824-004	B - J301

NUMERICAL INDEX

iR1200/iR1300/iR1500/iR1600 Series

PARTS NUMBER	FIGURE & KEY NO.	PARTS NUMBER	FIGURE & KEY NO.	PARTS NUMBER	FIGURE & KEY NO
VS1-5824-004	B - J3102	WG8-5309-000	810 - 24	XB1-2300-607	210 - 501
VS1-5824-006	B - J3111	WG8-5362-000	103 - 34	XB1-2300-607	210 - 502
VS1-5824-006	B - J3111	WG8-5362-000	161 - 76	XB1-2300-607	250 - 501
VS1-6094-003	B - J3112	WG8-5362-000	161 - 77	XB1-2300-807	640 - 501
VS1-6225-004	B - J3122	WK1-5112-000	950 - BAT1	XB1-2300-809	302 - 501
VS1-6302-003	B - J314	WK1-5133-000	950 - BAT2	XB1-2400-609	161 - 502
VS1-6314-003	B - J252	WS3-0437-000	B - J3140	XB2-7300-407	103 - 502
VS1-6314-003	B - J308	WS3-1226-000	B - J107	XB2-7300-407	240 - 501
VS1-6314-004	B - J310	WS3-1309-000	B - J3126	XB2-7300-407	250 - 502
VS1-6314-007	B - J352	WS3-5358-000	B - J103	XB3-6300-800	100 - 501
VS1-6314-007	B - J391	WS3-5358-000	B - J301	XB3-6300-800	101 - 501
VS1-6314-008	B - J104	WS3-5358-000	B - J3102	XB3-6300-800	102 - 501
VS1-6314-008	B - J302	WS3-5358-000	B - J3111	XB3-6300-800	103 - 503
VS1-6314-009	B - J108	WS3-5358-000	B - J3112	XB4-5300-806	640 - 502
VS1-6314-009	B - J203	WS3-5358-000	B - J3113	XB4-5300-809	130 - 502
VS1-6314-010	B - J106	WS3-5358-000	B - J3114	XB4-5300-809	161 - 503
VS1-6314-010	B - J202	WS3-5569-000	B - J314	XB4-5401-007	100 - 502
VS1-6314-010	B - J312	WS3-5721-000	B - J311	XB4-5401-007	100 - 503
VS1-6320-003	B - J3124	WT1-5155-000	B - J2	XB4-5401-007	101 - 502
VS1-6321-003	B - J2520	WT1-5155-000	B - J4	XB4-5401-007	161 - 504
VS1-6321-003	B - J2521	WT1-5155-000	B - J81	XB4-5401-007	161 - 505
VS1-6321-003	B - J3081	WT1-5155-000	B - J102	XB4-5401-007	161 - 506
VS1-6321-003	B - J3123	WT2-5565-000	161 - 41B	XB4-5401-007	210 - 503
VS1-6321-004	B - J3102	WT2-5565-000	210 - 29B	XB4-5401-007	330 - 501
VS1-6321-004	B - J3121	X71-7503-000	300 - 25	XB4-7300-505	302 - 502
VS1-6321-011	B - J210	X71-7503-000	300 - 26	XB4-7400-809	300 - 501
VS1-6321-011	B - J2101	XA9-0265-000	161 - 78	XB4-7400-809	301 - 501
VS1-6757-015	B - J311	XA9-0554-000	102 - 36	XB4-7400-809	302 - 503
VS3-0320-006	B - J3126	XA9-0663-000	640 - 64	XB4-7401-009	101 - 503
VS3-5080-002	B - J4	XA9-0770-000	640 - 65	XB4-7401-009	102 - 502
VS3-5080-002	B - J102	XA9-0813-000	102 - 37	XB4-7401-009	103 - 504
VS3-5080-006	B - J2	XA9-0836-000	810 - 25	XB4-7403-509	102 - 503
VS3-5080-006	B - J81	XA9-0903-000	302 - 16	XB6-7300-607	220 - 501
VS3-5118-003	B - J107	XA9-0924-000	810 - 26	XB6-7300-807	100 - 504
WA1-6525-000	330 - 33	XA9-0931-000	100 - 30	XB6-7300-807	102 - 504
WE8-5885-000	210 - 36	XA9-0931-000	102 - 38	XB6-7300-807	103 - 505
WE8-5908-000	103 - 32	XA9-0976-000	102 - 39	XD1-1104-131	220 - 502
WE8-5941-000	220 - 7A	XA9-1164-000	102 - 40	XD1-1104-635	300 - 502
WE8-5947-000	103 - 33	XA9-1164-000	103 - 35	XD2-1100-202	102 - 505
WE8-6067-000	103 - 33	XA9-1164-000	250 - 24	XD2-1100-242	161 - 507
WE8-6068-000	220 - 7A	XA9-1164-000	930 - 17	XD2-1100-322	102 - 506
WG8-5309-000	101 - 24	XB1-1300-807	103 - 501	XD2-1100-322	161 - 508
WG8-5309-000	102 - 35	XB1-2300-607	130 - 501	XD2-1100-322	220 - 503
WG8-5309-000	103 - 34	XB1-2300-607	161 - 501	XD2-1100-402	161 - 509

NUMERICAL INDEX

iR1200/iR1300/iR1500/iR1600 Series

PARTS NUMBER	FIGURE & KEY NO.	PARTS NUMBER	FIGURE & KEY NO.	PARTS NUMBER	FIGURE & KEY NO.
XD2-1100-402	161 - 510				
XD2-1100-502	102 - 507				
XD2-1100-502	102 - 508				
XD2-1100-502	161 - 511				
XD2-1100-502	161 - 512				
XD2-1100-502	161 - 513				
XD2-1100-502	161 - 514				
XD2-1100-502	330 - 502				
XD2-1100-502	640 - 503				
XD2-1100-642	161 - 515				
XD2-1100-642	240 - 502				
XD2-1200-202	300 - 503				
XD2-2300-302	330 - 503				
XD3-1160-142	101 - 504				
XD3-2200-082	161 - 516				
XD3-2200-102	161 - 517				
XD3-2200-102	161 - 518				
XD3-2200-102	161 - 519				
XD3-2200-122	161 - 520				
XD9-0159-000	101 - 10F				
XF2-1605-240	161 - 79				
XF2-1606-440	240 - 4				
XF2-1611-240	161 - 80				
XF9-0404-000	161 - 81				
XF9-0525-000	161 - 82				

iR1200/iR1300/iR1500/iR1600 Series

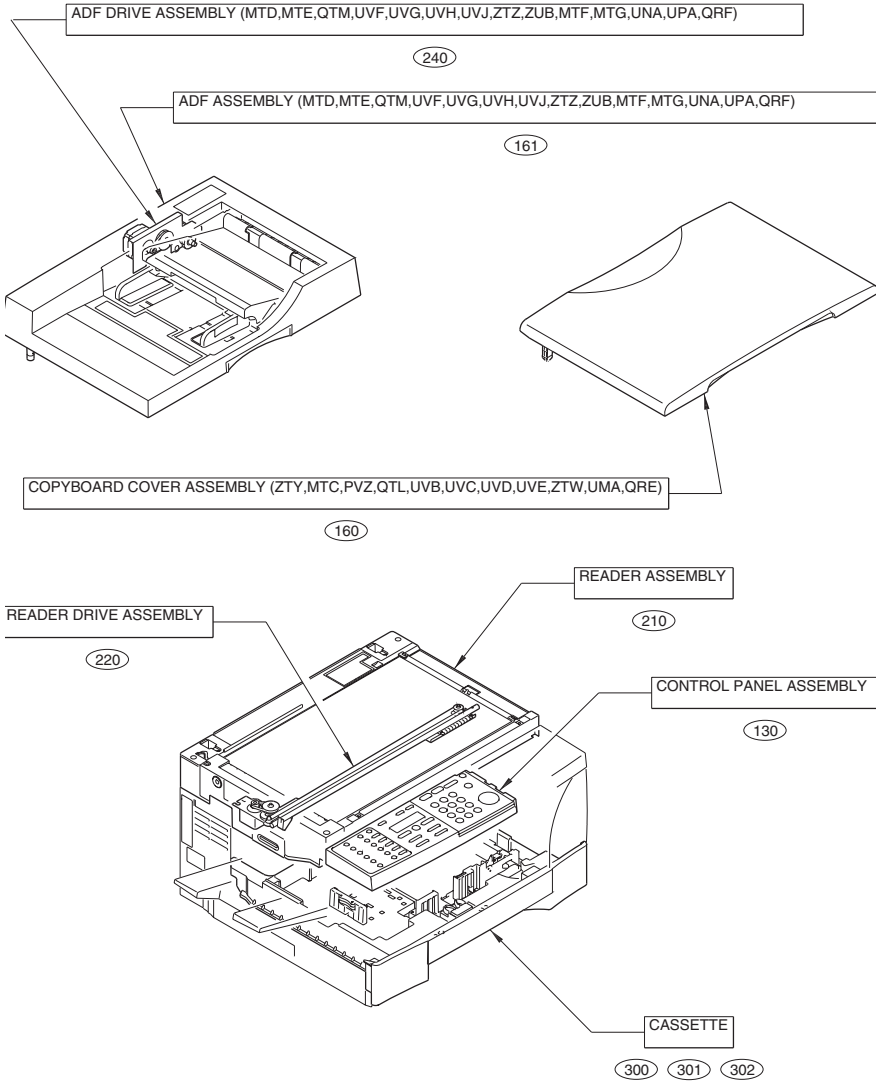
127V 60Hz	F14-2230-000ZTY00001-
120V 60Hz	F14-2231-000ZTW00001-
120V 60Hz	F14-2232-000ZTZ00001-
120V 60Hz	F14-2233-000ZUB00001-
220/240V 50Hz	F14-2241-000MTC00001-
220/240V 50Hz	F14-2241-000PVZ00001-
220/240V 50Hz	F14-2242-000MTD00001-
220/240V 50Hz	F14-2242-000MTE00001-
220/240V 50Hz	F14-2243-000MTF00001-
220/240V 50Hz	F14-2243-000MTG00001-
220/240V 50Hz	F14-2260-000QRE00001-
220/240V 50Hz	F14-2279-000UMA00001-
220/240V 50Hz	F14-2280-000QRF00001-
220/240V 50Hz	F14-2289-000UNA00001-
220/240V 50Hz	F14-2291-000QTL00001-
220/240V 50Hz	F14-2291-000UVB00001-
220/240V 50Hz	F14-2291-000UVC00001-
220/240V 50Hz	F14-2291-000UVD00001-
220/240V 50Hz	F14-2291-000UVE00001-
220/240V 50Hz	F14-2292-000QTM00001-
220/240V 50Hz	F14-2292-000UVF00001-
220/240V 50Hz	F14-2292-000UVG00001-
220/240V 50Hz	F14-2292-000UVH00001-
220/240V 50Hz	F14-2292-000UVJ00001-
220/240V 50Hz	F14-2299-000UPA00001-
120V	F14-6131-000JQE00001-

120V	F14-6132-000JRK00001-
120V	F14-6133-000JSD00001-
127V SAUDI	F14-6140-000JQF00001-
230V EUR	F14-6141-000JRG00001-
230V AU	F14-6141-000JRH00001-
230V EUR	F14-6142-000JRY00001-
230V AU	F14-6142-000JSC00001-
230V EUR	F14-6143-000JSP00001-
230V AU	F14-6143-000JSQ00001-
220V KR	F14-6153-000JSR00001-
220V CN	F14-6160-000JRJ00001-
230V EUR	F14-6191-000JQG00001-
230V GB	F14-6191-000JQH00001-
230V FR	F14-6191-000JRC00001-
230V GE	F14-6191-000JRD00001-
230V IT	F14-6191-000JRF00001-
230V EUR	F14-6192-000JRL00001-
230V GB	F14-6192-000JRM00001-
230V FR	F14-6192-000JRP00001-
230V GE	F14-6192-000JRW00001-
230V IT	F14-6192-000JRX00001-
230V EUR	F14-6193-000JSE00001-
230V GB	F14-6193-000JSF00001-
230V FR	F14-6193-000JSG00001-
230V GE	F14-6193-000JSM00001-
230V IT	F14-6193-000JSN00001-

Contents

A	ASSEMBLY LOCATION DIAGRAM	2-1
100	EXTERNAL COVERS, PANELS, ETC.	2-3
101	INTERNAL COMPONENTS 1	2-6
102	INTERNAL COMPONENTS 2	2-9
103	INTERNAL COMPONENTS 3	2-13
130	CONTROL PANEL ASSEMBLY	2-16
160	COPYBOARD COVER ASSEMBLY(ZTY,MTC,PVZ, QTL,UVB,UVC,UVD,UVE,ZTW,UMA,QRE)	2-20
161	ADF ASSEMBLY(MTD,MTE,QTM,UVF,UVG,UVH, UVJ,ZTZ,ZUB,MTF,MTG,UNA,UPA,QRF)	2-21
210	READER ASSEMBLY	2-27
220	READER DRIVE ASSEMBLY	2-30
240	ADF DRIVE ASSEMBLY(MTD,MTE,QTM,UVF,UVG, UVH,UVJ,ZTZ,ZUB,MTF,MTG,UNA,UPA,QRF)	2-32
250	MAIN DRIVE ASSEMBLY	2-33
300	CASSETTE(ZTY)	2-35
301	CASSETTE(QTL,UVB,UVC,UVD,UVE,QTM,UVF,UVG UVH,UVJ,UMA,UNA,UPA) 2-37	
302	CASSETTE(MTC,PVZ,MTD,MTE,ZTW,ZTZ,ZUB,MTF MTG,QRE,QRF)	2-39
320	REGISTRATION ASSEMBLY	2-41
330	PAPER FEEDER ASSEMBLY	2-43
460	LASER SCANNER ASSEMBLY	2-46
640	DEVELOPING ASSEMBLY	2-47
810	FIXING ASSEMBLY	2-51
930	PCB ASSEMBLY	2-54
950	IMAGE PROCESSOR PCB ASSEMBLY	2-56
B	LIST OF CONNECTORS	2-57

FIGURE A ASSEMBLY LOCATION DIAGRAM



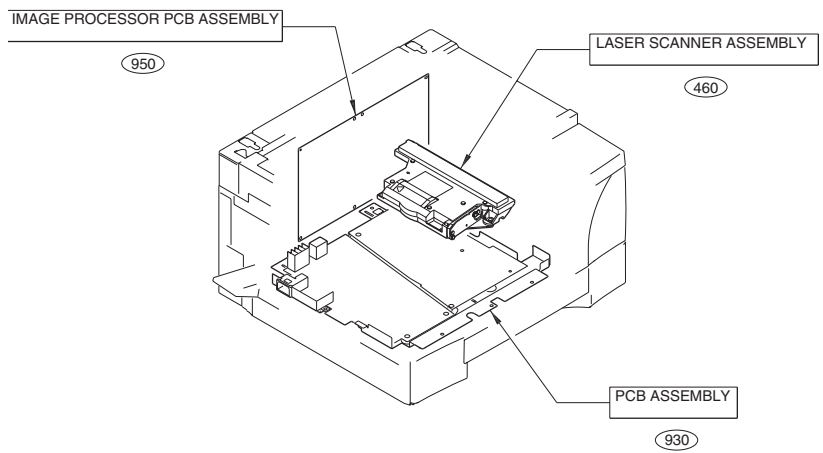
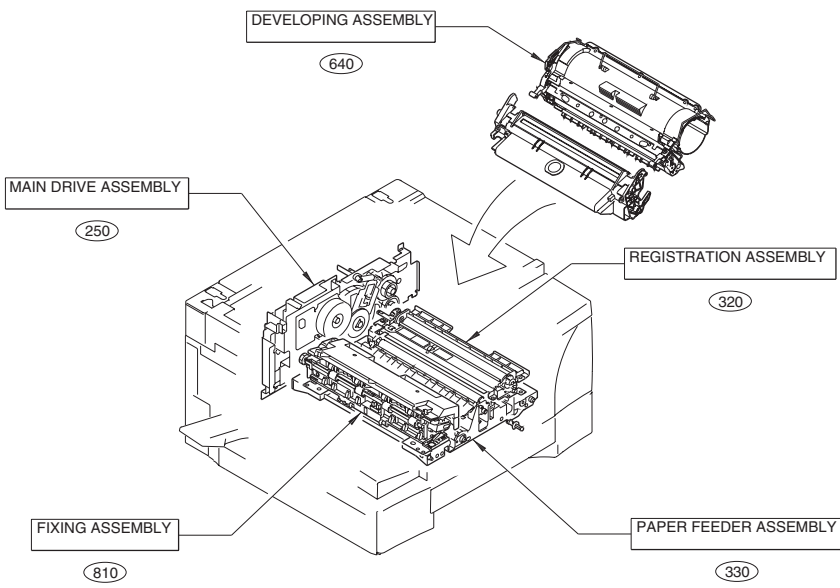


FIGURE 100 EXTERNAL COVERS, PANELS, ETC.

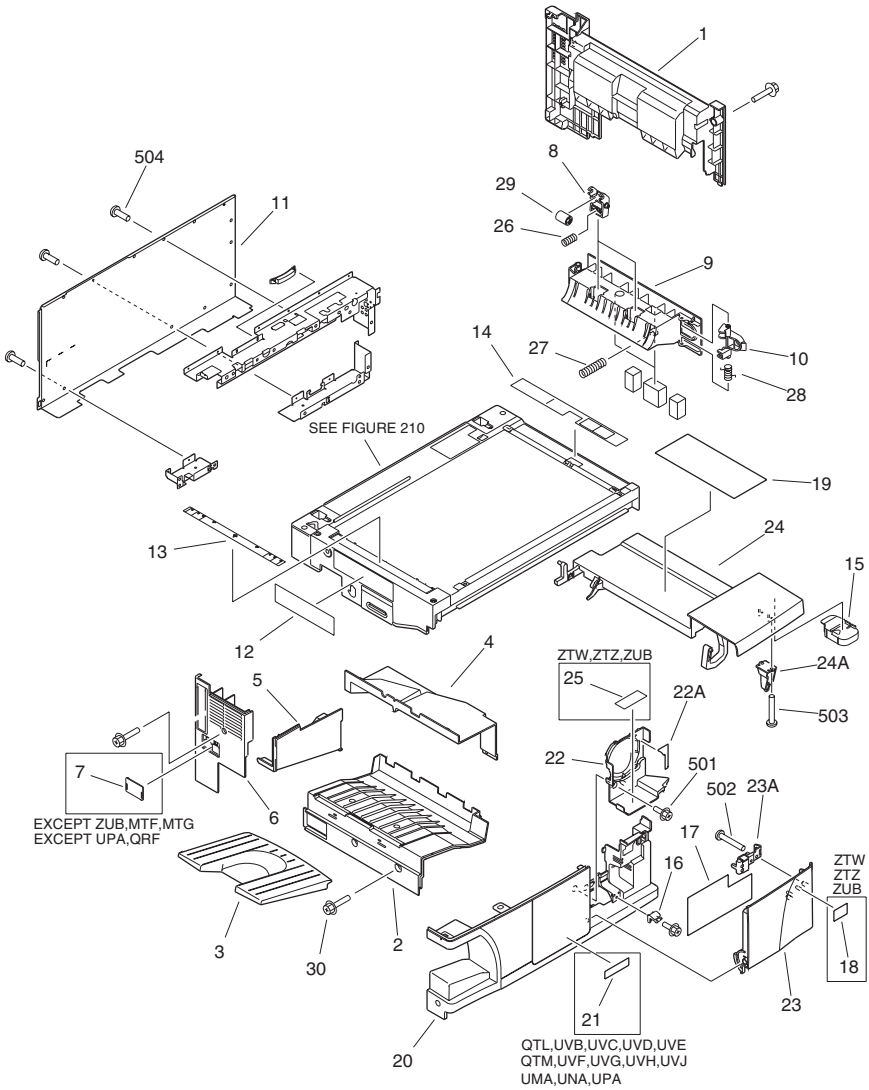


FIGURE & KEY NO.	PARTS NUMBER	R A N K	Q'TY	DESCRIPTION	SERIAL NUMBER/ REMARKS	S V C
Fig.100	NPN		RF	EXTERNAL COVERS, PANELS, ETC.		
1	FB6-0085-000		1	PANEL, RIGHT		
2	FB6-0123-020		1	PANEL, PAPER DELIVERY		
3	FB6-0124-020		1	TRAY, PAPER DELIVERY		
4	FB6-0125-000		1	PANEL, PAPER DELIVERY, UPPER		
5	FB6-0126-000		1	PANEL, PAPER DELIVERY, REAR		
6	FB6-0127-000		1	PANEL, LEFT		
7	FB6-0128-000		1	LID, MODULAR JACK	EXCEPT ZUB,MTF,MTG EXCEPT UP,A,QRF	
8	FB6-0242-000		2	ARM, PRESSURE		
9	FB6-0243-000		1	DOOR, RIGHT		
10	FB6-0250-000		1	ARM, LOCK		
11	FB6-0279-000		1	PANEL, REAR		
12	FB6-2303-000		1	LABEL, REMOVAL	ZTY,ZTW,ZTZ,ZUB	
12	FB6-0283-000		1	LABEL, REMOVAL	QTL,UVB,UVC,UVD,UVE QTM,UVF,UVG,UVH,UVJ UMA,UNA,UPA	
12	FB6-0284-000		1	LABEL, REMOVAL	MTG,PVZ,MTD,MTE,MTF MTG,QRE,QRF	
13	FB6-2305-000		1	LABEL, DOCUMENT SIZE		
14	FB6-2306-000		1	LABEL, READER SLIDE	ZTY,ZTW,ZTZ,ZUB	
14	FB6-2307-000		1	LABEL, READER SLIDE	QTL,UVB,UVC,UVD,UVE QTM,UVF,UVG,UVH,UVJ UMA,UNA,UPA	
14	FB6-2308-000		1	LABEL, READER SLIDE	MTG,PVZ,MTD,MTE,MTF MTG,QRE,QRF	
15	FB6-4633-000		1	COVER, DRUM SHUTTER STOP		
16	FB6-4650-000		1	HINGE, FRONT PANEL		
17	FB6-4768-000		1	LABEL, 'TONER CARTRIDGE'		
18	FB6-4783-000		1	LABEL, 'SUPER G3'	ZTW,ZTZ,ZUB	
19	FB6-4785-000		1	LABEL, JAM CLEARING		
20	FB6-4790-000		1	PANEL, FRONT	ZTY,MTG,PVZ,QRE	
20	FB6-4830-000		1	PANEL, FRONT	QTL,UVB,UVC,UVD,UVE QTM,UVF,UVG,UVH,UVJ UMA,UNA,UPA	
20	FB6-4791-000		1	PANEL, FRONT	MTD,MTE	
20	FB6-4641-000		1	PANEL, FRONT	ZTW	

FIGURE & KEY NO.	PARTS NUMBER	R A N K	Q'TY	DESCRIPTION	SERIAL NUMBER/ REMARKS	S V C
20	FB6-4788-000		1	PANEL, FRONT	ZTZ	
20	FB6-4789-000		1	PANEL, FRONT	ZUB	
20	FB6-4792-000		1	PANEL, FRONT	MTF,MTG,QRF	
20	FB6-6657-000		1	PANEL, FRONT	JQE	
20	FB6-6658-000		1	PANEL, FRONT	JRK	
20	FB6-6659-000		1	PANEL, FRONT	JSD	
20	FB6-6660-000		1	PANEL, FRONT	JQF,JRG,JRH,JRJ,JQG,J QH,JRC,JRD,JRF	
20	FB6-6661-000		1	PANEL, FRONT	JRY,JSC,JRL,JRM,JRP,J RW,JRX	
20	FB6-6662-000		1	PANEL, FRONT	JSP,JSQ,JSR,JSE,JSF,JS G,JSM,JSN	
21	FB6-4831-000		1	LABEL, MODEL NAME	QTL,UVB,UVC,UVD,UVE UMA	
21	FB6-4832-000		1	LABEL, MODEL NAME	QTM,UVF,UVG,UVH,UVJ UNA	
21	FB6-4833-000		1	LABEL, MODEL NAME	UPA	
22	FF6-2301-000		1	PANEL, CARTRIDGE		
22A	FB6-4662-000		1	LABEL, POSITIONING		
23	FG6-9551-000		1	DOOR, FRONT		
23A	FB6-4643-000		1	BLOCK, STOP		
24	FG6-9552-000		1	PANEL, CARTRIDGE OPEN/CLOSE		
24A	FB6-4645-000		1	BLOCK, STOP		
25	FS6-8992-000		1	LABEL, TONER	ZTW,ZTZ,ZUB	
26	FS7-2691-000		2	SPRING, COMPRESSION		
27	FS7-2692-000		1	SPRING, COMPRESSION		
28	FS7-2693-000		1	SPRING, TORSION		
29	RB2-3046-000		2	ROLLER		
30	XA9-0931-000		AR	SCREW, RS, M3X12		
501	XB3-6300-800		AR	SCREW,RS,M3X8		
502	XB4-5401-007		2	SCREW,P,M4X10		
503	XB4-5401-007		2	SCREW,P,M4X10		
504	XB6-7300-807		AR	SCREW,TP,M3X8		

FIGURE 101 INTERNAL COMPONENTS 1

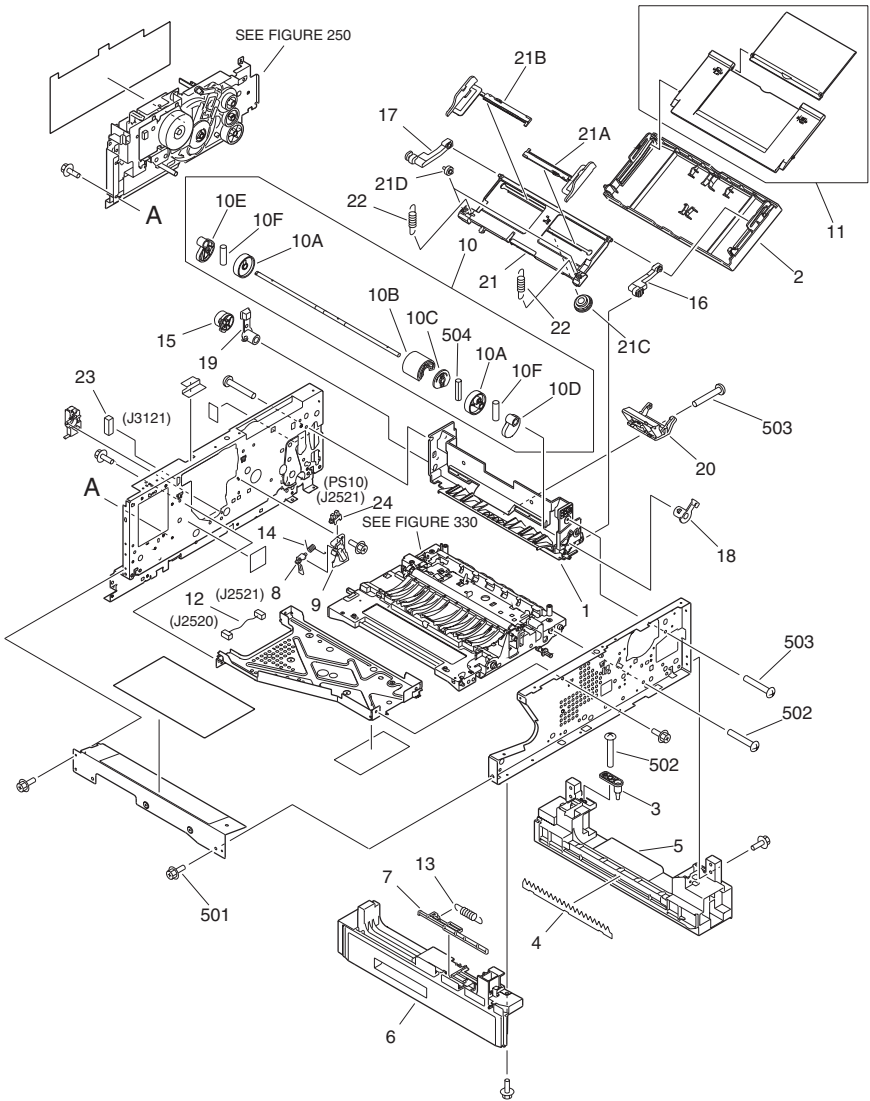


FIGURE & KEY NO.	PARTS NUMBER	R A N K	Q'TY	DESCRIPTION	SERIAL NUMBER/ REMARKS	S V C
Fig.101	NPN		RF	INTERNAL COMPONENTS 1		
1	FB6-0074-000		1	FRAME, MULTI FEED		
2	FB6-0249-000		1	PANEL, MULTI PICK-UP		
3	FB6-0251-000		1	PIN, HINGE		
4	FB6-0265-000		1	SHEET, NOISE PREVENTION	iR1210,iR1230,iR1270F,iR1310,iR1330,iR1370F	
4	FE5-3195-000		1	SHEET, NOISE PREVENTION	iR1510,iR1530,iR1570F,iR1610,iR1630,iR1670F	
5	FB6-0268-000		1	RAIL, CASSETTE, RIGHT		
6	FB6-0269-000		1	RAIL, CASSETTE, LEFT		
7	FB6-0291-000		1	LEVER, CASSETTE SENSOR		
8	FB6-4666-000		1	FLAG, SENSOR		
9	FB6-4667-000		1	HOLDER, SENSOR FLAG		
10	FG6-7953-000		1	MP PICK-UP ROLLER UNIT		
10A	FB6-0314-000		2	COLLAR, MP		
10B	RB2-2900-000		1	ROLLER, MP PICK-UP		
10C	RB2-2901-000		1	CAM, ROLLER		
10D	RB2-2902-000		1	CAM, MP, LEFT		
10E	RB2-2903-000		1	CAM, MP, RIGHT		
10F	XD9-0159-000		2	PIN, DOWEL		
11	FG6-7972-000		1	PAPER PICK-UP TRAY UNIT		
12	FG6-9851-000		1	CABLE, SENSOR, 1	J2520.2521	
13	FS7-2697-000		1	SPRING, TENSION		
14	FS7-2933-000		1	SPRING, TORSION		
15	FU3-0072-000		1	GEAR, 26T		
16	RB2-3041-020		1	HINGE, LEFT		
17	RB2-3042-020		1	HINGE, RIGHT		
18	RB2-3043-000		1	BUSHING, LEFT		
19	RB2-3044-000		1	BUSHING, RIGHT		
20	FF6-1460-000		1	SEPARATION PAD UNIT		
21	FG6-8530-000		1	MULTI-PURPOSE TRAY ASS'Y		
21A	RB2-2883-000		1	GUIDE, SLIDE, LEFT		
21B	RB2-2884-000		1	GUIDE, SLIDE, RIGHT		

FIGURE & KEY NO.	PARTS NUMBER	R A N K	Q'TY	DESCRIPTION	SERIAL NUMBER/ REMARKS	S V C
21C	RB2-2885-000		1	GEAR, 18T		
21D	RB2-3084-000		2	COLLAR, MP		
22	RS6-2030-000		2	SPRING, TENSION	iR1210,iR1230,iR1270F,iR1310,iR1330,iR1370F J316,801	
22	FS7-2706-000		2	SPRING, TENSION	iR1510,iR1530,iR1570F,iR1610,iR1630,iR1670F J316,801	
23	VS1-5057-004		1	CONNECTOR, SNAP TIGHT	J3121	
24	WG8-5309-000		1	PHOTO-INTERRUPTER	PS10 J2521	
501	XB3-6300-800		AR	SCREW,RS,M3X8		
502	XB4-5401-007		AR	SCREW,P,M4X10		
503	XB4-7401-009		AR	SCREW,TAPPING,TRUSS HEAD,M4X10		
504	XD3-1160-142		1	PIN,SPRING		

FIGURE 102

INTERNAL COMPONENTS 2

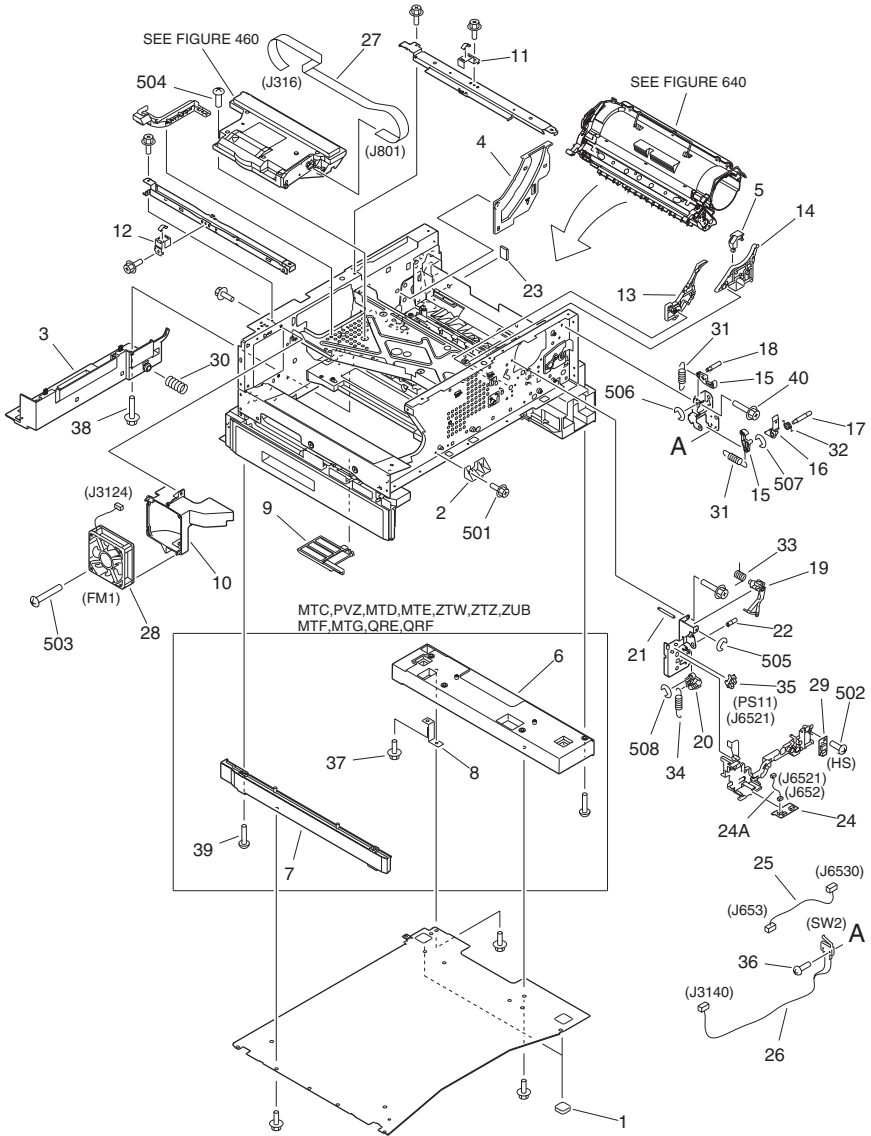


FIGURE & KEY NO.	PARTS NUMBER	RANK	Q'TY	DESCRIPTION	SERIAL NUMBER/REMARKS	SVC
Fig.102	NPN		RF	INTERNAL COMPONENTS 2		
1	FB2-5303-000		2	FOOT, RUBBER		
2	FB6-0077-000		1	LOCK, CASSETTE		
3	FB6-0086-000		1	PANEL, CABLE HOLDER		
4	FB6-0164-000		1	GUIDE, CARTRIDGE, REAR		
5	FB6-0165-000		1	RETAINER, SPRING		
6	FB6-0276-000		1	SUPPORT, RAIL, RIGHT	MTC,PVZ,MTD,MTE,ZTW ZTZ,ZUB,MTF,MTG,QRE QRF,JQF,JQG,JQH,JRC,J RD,JRF,JRL,JRM,JRP,JR W,JRX,JSE,JSF,JSG,JSM ,JSN	
7	FB6-0277-000		1	SUPPORT, RAIL, LEFT	MTC,PVZ,MTD,MTE,ZTW ZTZ,ZUB,MTF,MTG,QRE QRF	
8	FB6-0278-000		1	PLATE, GROUNDING	MTC,PVZ,MTD,MTE,ZTW ZTZ,ZUB,MTF,MTG,QRE QRF,JSE,JSF,JSG,JSM,J SN	
9	FB6-0289-000		1	LEVER, DETECT SENSOR, 1	ZTY,QTL,UVB,UVC,UVD UVE,QTM,UVF,UVG,UVH UVJ,UMA,UNA,UPA	
9	FB6-0303-000		1	LEVER, DETECT SENSOR, 1	MTC,PVZ,MTD,MTE,ZTW ZTZ,ZUB,MTF,MTG,QRE QRF,JQF,JQG,JQH,JRC,J RD,JRF,JRL,JRM,JRP,JR W,JRX	
10	FB6-0307-000		1	HOLDER, FAN		
11	FB6-4556-000		1	PLATE, GROUNDING		
12	FB6-4557-000		1	PLATE, GROUNDING		
13	FB6-4647-000		1	FRONT GUIDE, CARTRIDGE, UPPER		
14	FB6-4648-000		1	FRONT GUIDE, CARTRIDGE, LOWER		
15	FB6-4652-000		2	HOOK, FRONT PANEL RELEASE		
16	FB6-4653-000		1	LEVER, FRONT PANEL DETECT		
17	FB6-4654-000		1	SHAFT, RELEASE HOOK		
18	FB6-4655-000		1	SHAFT, RELEASE HOOK		
19	FB6-4657-000		1	LEVER, TONER BOTTLE SENSOR		
20	FB6-4658-000		1	CAM, LEVER EVACUATE		
21	FB6-4660-000		1	SHAFT, SENSOR LEVER		
22	FB6-4661-000		1	SHAFT, EVACUATE CAM		

FIGURE & KEY NO.	PARTS NUMBER	R A N K	Q'TY	DESCRIPTION	SERIAL NUMBER/ REMARKS	S V C
23	FC5-0039-000		1	SEAL		
24	FG6-9556-000		1	SENSOR CONNECT PCB ASSEMBLY		
24A	FG6-9853-000		1	CABLE, TONER BOTTLE	J652,6521	
25	FG6-9848-000		1	CABLE, HUMIDITY SENSOR	J653,6530	
26	FG6-9849-000		1	CABLE, FRONT PANEL SWITCH	SW2 J3140	
27	FH2-6934-000		1	CABLE, FLAT	iR1210,iR1230,iR1270F,iR1310,iR1330,iR1370F J316,801	
27	FH2-7067-000		1	CABLE, FLAT	iR1510,iR1530,iR1570F,iR1610,iR1630,iR1670F J316,801	
28	FH6-1921-000		1	FAN	FM1 J3124	
29	FH7-7611-000		1	HUMIDITY SENSOR UNIT	HS	
30	FS7-2694-000		1	SPRING, COMPRESSION		
31	FS7-2921-000		2	SPRING, TENSION		
32	FS7-2922-000		1	SPRING, TORSION		
33	FS7-2923-000		1	SPRING, TORSION		
34	FS7-2924-000		1	SPRING, TENSION		
35	WG8-5309-000		1	PHOTO-INTERRUPTER	PS11 J6521	
36	XA9-0554-000		1	SCREW,MACH.,TRUSS HEAD,M2.3X10		
37	XA9-0813-000		1	SCREW,RS,M3X8	MTC,PVZ,MTD,MTE,ZTW ZTZ,ZUB,MTF,MTG,QRE QRF	
38	XA9-0931-000		AR	SCREW, RS, M3X12		
39	XA9-0976-000		6	SCREW,P,M4X16	MTC,PVZ,MTD,MTE,ZTW ZTZ,ZUB,MTF,MTG,QRE QRF	
40	XA9-1164-000		AR	SCREW,RS,M3X6.5		
41	FB6-0301-000		1	GUIDE, CABLE		
501	XB3-6300-800		AR	SCREW,RS,M3X8		
502	XB4-7401-009		1	SCREW,TAPPING,TRUSS HEAD,M4X10		
503	XB4-7403-509		2	SCREW,TAPPING,TRUSS HEAD,M4X35		
504	XB6-7300-807		AR	SCREW,TP,M3X8		
505	XD2-1100-202		1	RING,E		
506	XD2-1100-322		1	RING,E		
507	XD2-1100-502		1	RING,E		

FIGURE & KEY NO.	PARTS NUMBER	R A N K	Q'TY	DESCRIPTION	SERIAL NUMBER/ REMARKS	S V C
508	XD2-1100-502		1	RING,E		

FIGURE 103 INTERNAL COMPONENTS 3

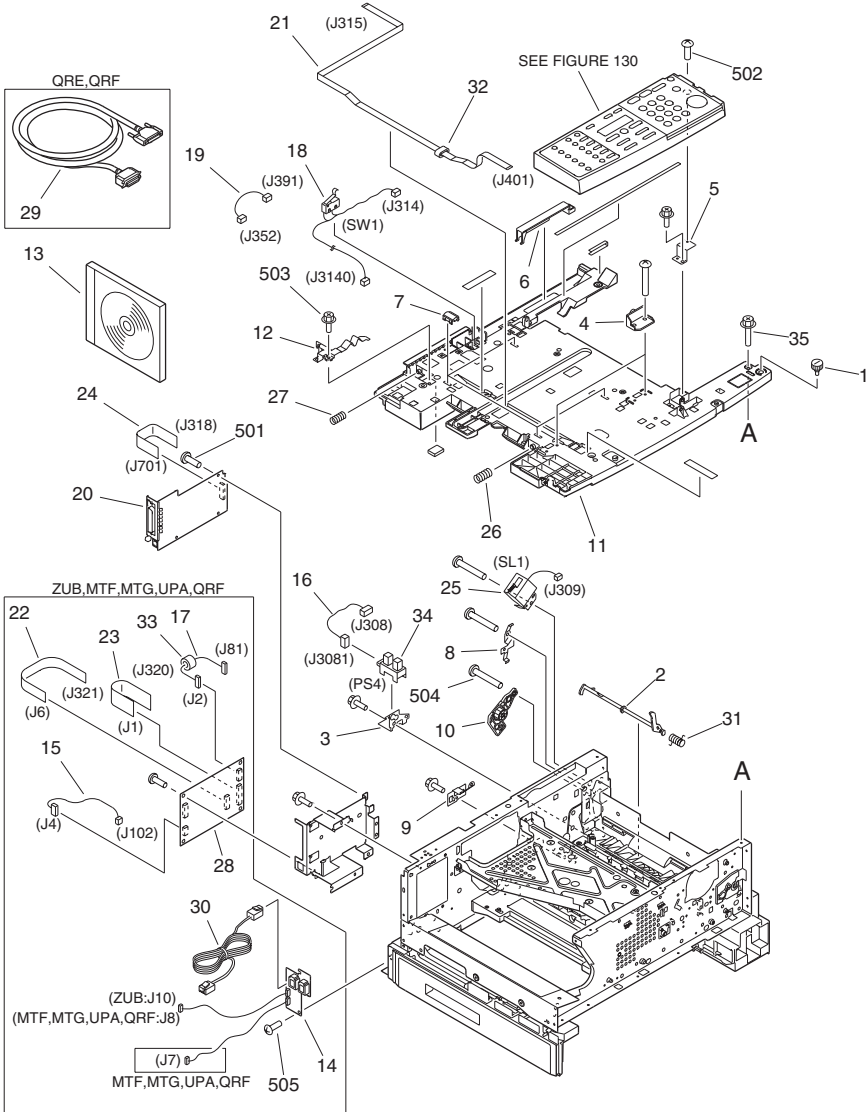


FIGURE & KEY NO.	PARTS NUMBER	R A N K	Q'TY	DESCRIPTION	SERIAL NUMBER/ REMARKS	S V C
Fig.103	NPN		RF	INTERNAL COMPONENTS 3		
1	FB2-5502-000		1	SCREW,STEPPED,M3		
2	FB6-0075-000		1	FLAG, MULTI PICK-UP SENSOR		
3	FB6-0076-000		1	SUPPORT, MULTI PICK-UP SENSOR		
4	FB6-0094-000		2	SUPPORT, READER STOP		
5	FB6-0147-000		1	PLATE, GROUNDING		
6	FB6-0179-000		1	COVER, DF CABLE		
7	FB6-0234-000		4	COLLAR, SWING		
8	FB6-0252-000		1	PLATE, GROUNDING		
9	FB6-0253-000		1	PLATE, GROUNDING		
10	FB6-0256-000		1	DAMPER GEAR UNIT		
11	FB6-4638-000		1	PANEL, UPPER		
12	FF6-1455-000		1	PLATE, GROUNDING		
13	FH5-3415-000		1	CD-ROM, USERSOFTWARE	ZTW,ZTZ,ZUB	
13	FH5-3416-000		1	CD-ROM, USERSOFTWARE	ZTY,MTC,PVZ,QLT,UVB UVC,UVD,UVE,MTD,MTE QTM,UVF,UVG,UVH,UVJ	
13	FG3-3051-00S		1	CD-ROM, USERSOFTWARE	UMA,UNA,UPA	
13	FH5-3416-000		1	CD-ROM, USERSOFTWARE	MTF,MTG,QRE,QRF	
13	FH5-3590-000		1	CD-ROM, USERSOFTWARE	JQE	
13	FH5-3625-000		1	CD-ROM, USERSOFTWARE	JRL,JRM,JRP,JRW,JRX,J SE,JSF,JSG,JSM,JSN	
14	FG6-8829-000		1	MODULAR JACK PCB ASSEMBLY	ZUB	
14	FG6-8830-000		1	MODULAR JACK PCB ASSEMBLY	UPA	
14	FG6-8831-000		1	MODULAR JACK PCB ASSEMBLY	MTF,MTG,QRF	
15	FG6-8840-000		1	CABLE, PSEUDO, CI	ZUB,MTF,MTG,UPA,QRF J4,102	
16	FG6-8841-000		1	CABLE, MULTI PICK-UP	J308,3081	
17	FG6-8844-000		1	CABLE, NCU ANALOG	ZUB,MTF,MTG,UPA,QRF J2,81	
18	FG6-9850-000		1	CABLE, READER/FRONT PANEL	SW1 J314,3140	
19	FG6-9854-000		1	CABLE, SERIAL NUMBER	J352,391	
20	FG6-9860-000		1	PRINTER CONTROLLER PCB ASSY	iR1210,iR1230,iR1270F,iR 1310,iR1330,iR1370F	
20	FM1-0459-000		1	PRINTER CONTROLLER PCB ASSY	iR1510,iR1530,iR1570F,iR 1610,iR1630,iR1670F	

FIGURE & KEY NO.	PARTS NUMBER	R A N K	Q'TY	DESCRIPTION	SERIAL NUMBER/ REMARKS	S V C
21	FH2-6932-000		1	CABLE, FLAT	J315,401	
22	FH2-6935-000		1	CABLE, FLAT	MTF,MTG,UPA,QRF J6,321	
22	FH2-7068-000		1	CABLE, FLAT	JSP,JSQ,JSR,JSE,JSF,JS G,JSM,JSN	
23	FH2-6936-000		1	CABLE, FLAT	ZUB,MTF,MTG,UPA,QRF J1,320	
23	FH2-7069-000		1	CABLE, FLAT	JSD,JSP,JSQ,JSR,JSE,J SF,JSJ,JSM,JSN	
24	FH2-7070-000		1	CABLE, FLAT	J318,701	
25	FH6-5038-000		1	SOLENOID	SL1 J309	
26	FS7-2695-000		1	SPRING, COMPRESSION		
27	FS7-2696-000		1	SPRING, COMPRESSION		
28	HG1-4365-000		1	NCU PCB ASSEMBLY	ZUB	
28	HG5-2587-000		1	NCU PCB ASSEMBLY	UPA	
28	HG5-2598-000		1	NCU PCB ASSEMBLY	MTF,MTG,QRF	
29	HH2-2654-000		1	CABLE, UNIT	QRE,QRF	
30	HH2-2824-000		1	CORD, MODULAR	ZUB,MTG	
30	HH2-2478-000		1	MODULAR CORD	MTF	
30	HH2-3167-000		1	CORD, MODULAR	QRF	
31	RB2-2837-000		1	SPRING, TORSION		
32	WE8-5908-000		1	CORE, RING		
33	WE8-5947-000		1	CORE, FERRITE	ZUB,MTF,MTG,UPA QRF	
33	WE8-6067-000		1	CORE, FERRITE	JSP,JSQ,JSR,JSE,JSF,JS G,JSM,JSN	
34	WG8-5309-000		1	PHOTO-INTERRUPTER	iR1210,iR1230,iR1270F,iR 1310,iR1330,iR1370F PS4 J3081	
34	WG8-5362-000		1	PHOTO-INTERRUPTER	iR1510,iR1530,iR1570F,iR 1610,iR1630,iR1670F PS4 J3081	
35	XA9-1164-000		AR	SCREW,RS,M3X6.5		
501	XB1-1300-807		2	SCREW,MACH.,PAN HEAD,M3X8		
502	XB2-7300-407		1	SCREW,W/WASHER,M3X4		
503	XB3-6300-800		AR	SCREW,RS,M3X8		
504	XB4-7401-009		AR	SCREW,TAPPING,TRUSS HEAD,M4X10		
505	XB6-7300-807		AR	SCREW,TP,M3X8		

FIGURE 130 CONTROL PANEL ASSEMBLY

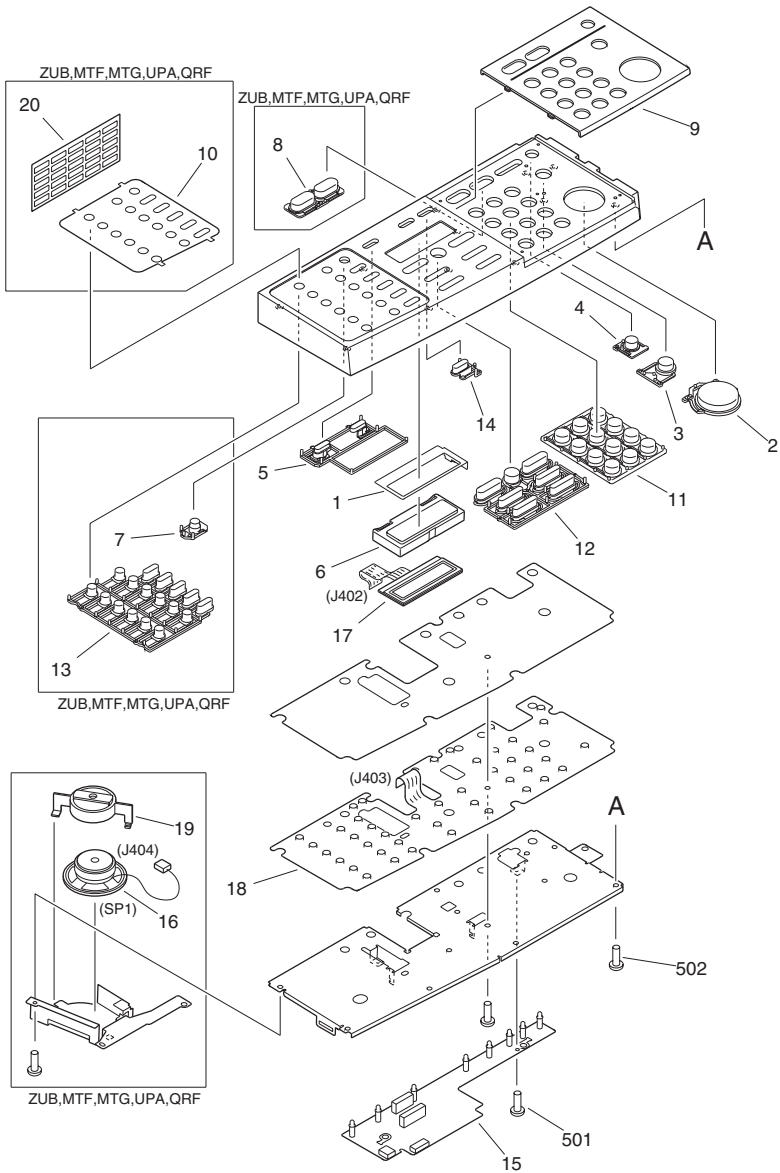


FIGURE & KEY NO.	PARTS NUMBER	R A N K	Q'TY	DESCRIPTION	SERIAL NUMBER/ REMARKS	S V C
Fig.130	FG6-9514-000		1	CONTROL PANEL ASSEMBLY	ZTW,ZTZ	
Fig.130	FG6-9516-000		1	CONTROL PANEL ASSEMBLY	ZTY,RTL,UVB,UVC,UVD UVE,QTU,UVF,UVG,UVH UVJ,UMA,UNA,QRE	
Fig.130	FG6-9518-000		1	CONTROL PANEL ASSEMBLY	MTC,PVZ,MTD,MTE	
Fig.130	FG6-9513-000		1	CONTROL PANEL ASSEMBLY	ZUB	
Fig.130	FG6-9515-000		1	CONTROL PANEL ASSEMBLY	UPA	
Fig.130	FG6-9517-000		1	CONTROL PANEL ASSEMBLY	MTF,MTG	
Fig.130	FG6-9519-000		1	CONTROL PANEL ASSEMBLY	QRF	
Fig.130	FM1-0461-000		1	CONTROL PANEL ASSEMBLY	JSD	
Fig.130	FM1-0462-000		1	CONTROL PANEL ASSEMBLY	JQE,JRK	
Fig.130	FM1-0464-000		1	CONTROL PANEL ASSEMBLY	JQF,JRJ,JQG,JQH,JRC,J RD,JRF,JRL,JRM,JRP,JR W,JRX	
Fig.130	FM1-0463-000		1	CONTROL PANEL ASSEMBLY	JSE,JSF,JSG,JSM,JSN	
Fig.130	FM1-0465-000		1	CONTROL PANEL ASSEMBLY	JSP,JSQ	
Fig.130	FM1-0466-000		1	CONTROL PANEL ASSEMBLY	JRG,JRH,JRY,JSC	
Fig.130	FM1-0467-000		1	CONTROL PANEL ASSEMBLY	JSR	
1	FB6-0133-000		1	PLATE, GROUNDING		
2	FB6-0138-000		1	KEY TOP, START		
3	FB6-0139-000		1	KEY TOP, STOP		
4	FB6-0140-000		1	KEY TOP, ESS		
5	FB6-0141-000		1	KEY TOP, USER-MODE		
6	FB6-0145-000		1	CASE, LCD		
7	FB6-2299-000		1	KEY TOP, FUNCTION	ZUB,MTF,MTG,UPA,QRF	
8	FB6-2323-000		1	KEY TOP, CHANGE	ZUB,MTF,MTG	
8	FB6-2324-000		1	KEY TOP, CHANGE	UPA,QRF	
9	FB6-4807-000		1	COVER, CONTROL PANEL	ZTY,RTL,UVB,UVC,UVD UVE,QTU,UVF,UVG,UVH UVJ,UMA,UNA,QRE	
9	FB6-4806-000		1	COVER, CONTROL PANEL	UPA,QRF	
9	FB6-4805-000		1	COVER, CONTROL PANEL	ZTW,ZTZ,MTC,PVZ,MTD MTE	
9	FB6-4804-000		1	COVER, CONTROL PANEL	ZUB	
9	FB6-4808-000		1	COVER, CONTROL PANEL	MTF,MTG	
10	FB6-4811-000		1	SHEET, ONE-TOUCH	ZUB	

FIGURE & KEY NO.	PARTS NUMBER	RANK	Q'TY	DESCRIPTION	SERIAL NUMBER/REMARKS	SVC
10	FB6-4812-000		1	SHEET, ONE-TOUCH	MTF,MTG,UPA:ENGLISH	
10	FB6-4810-000		1	SHEET, ONE-TOUCH	UPA:FRENCH	
10	FB6-4809-000		1	SHEET, ONE-TOUCH	UPA:GERMAN	
10	FB6-4814-000		1	SHEET, ONE-TOUCH	UPA:ITALIAN	
10	FB6-4813-000		1	SHEET, ONE-TOUCH	QRF	
10	FB6-2311-000		1	SHEET, ONE-TOUCH	UIA:GERMAN	
10	FB6-2312-000		1	SHEET, ONE-TOUCH	UIA:FRENCH	
10	FB6-2313-000		1	SHEET, ONE-TOUCH	UIA:ITALIAN	
11	FB6-4815-000		1	KEY TOP, NUMBERS		
12	FB6-4816-000		1	KEY TOP, OK	ZTY, MTC, PVZ, QTL, UVB UVC, UVD, UVE, MTD, MTE QTM, UVF, UVG, UVH, UVJ MTF, MTG, UMA, UNA, UPA QRE, QRF	
12	FB6-4819-000		1	KEY TOP, OK	ZTW, ZTZ, ZUB	
13	FB6-4817-000		1	KEY TOP, ONE-TOUCH	ZUB, MTF, MTG, UPA, QRF	
14	FB6-4818-000		1	KEY TOP, 2 IN 1		
15	FG6-8804-000		1	CONTROL PANEL PCB ASSEMBLY	ZUB, MTF, MTG, UPA, QRF	
15	FG6-8805-000		1	CONTROL PANEL PCB ASSEMBLY	EXCEPT ZUB, MTF, MTG EXCEPT UPA, QRF	
15	FM1-0468-000		1	CONTROL PANEL PCB ASSEMBLY	JSD, JSP, JSQ, JSR, JSE, J SF, JSG, JSM, JSN	
15	FM1-0469-000		1	CONTROL PANEL PCB ASSEMBLY	JQE, JRK, JRY, JSC, JRL, J RM, JRP, JRW, JRX	
16	FH5-3221-000		1	SPEAKER	ZUB, MTF, MTG, UPA, QRF SP1 J404	
16	FH5-3626-000		1	SPEAKER	JSD, JSP, JSQ, JSR, JSE, J SF, JSG, JSM, JSN	
17	FH6-0813-000		1	LCD CONTROL PANEL UNIT	EXCEPT JQE, JRK, JSD, JRY, JSC, J SP, JSQ, JSR, JRL, JRM, JR P, JRW, JRX, JSE, JSF, JSG , JSM, JSNJ402	
17	FH6-0846-000		1	LCD CONTROL PANEL UNIT	JQE, JRK, JSD, JRY, JSC, J SP, JSQ, JSR, JRL, JRM, JR P, JRW, JRX, JSE, JSF, JSG , JSM, JSN J402	
18	FH7-6337-000		1	SWITCH, MEMBRANE	J403	
19	HB1-3023-000		1	HOLDER, SPEAKER	ZUB, MTF, MTG, UPA, QRF	
20	HB1-5127-000		1	LABEL, FAX DESTINATION	ZUB, MTF, MTG, UPA, QRF	

FIGURE & KEY NO.	PARTS NUMBER	R A N K	Q'TY	DESCRIPTION	SERIAL NUMBER/ REMARKS	S V C
501	XB1-2300-607		2	SCREW,MACH.,TRUSS HEAD,M3X6		
502	XB4-5300-809		10	SCREW,P,M3X8		

FIGURE 160
COPYBOARD COVER ASSEMBLY(ZTY,MTC,PVZ,
QTL,UVB,UVC,UVD,UVE,ZTW,UMA,QRE)

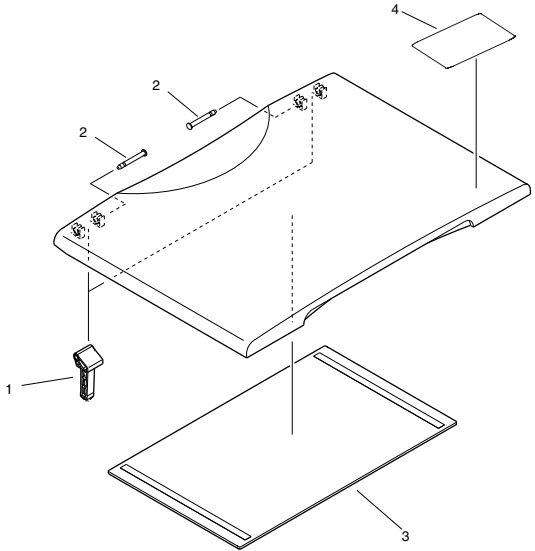
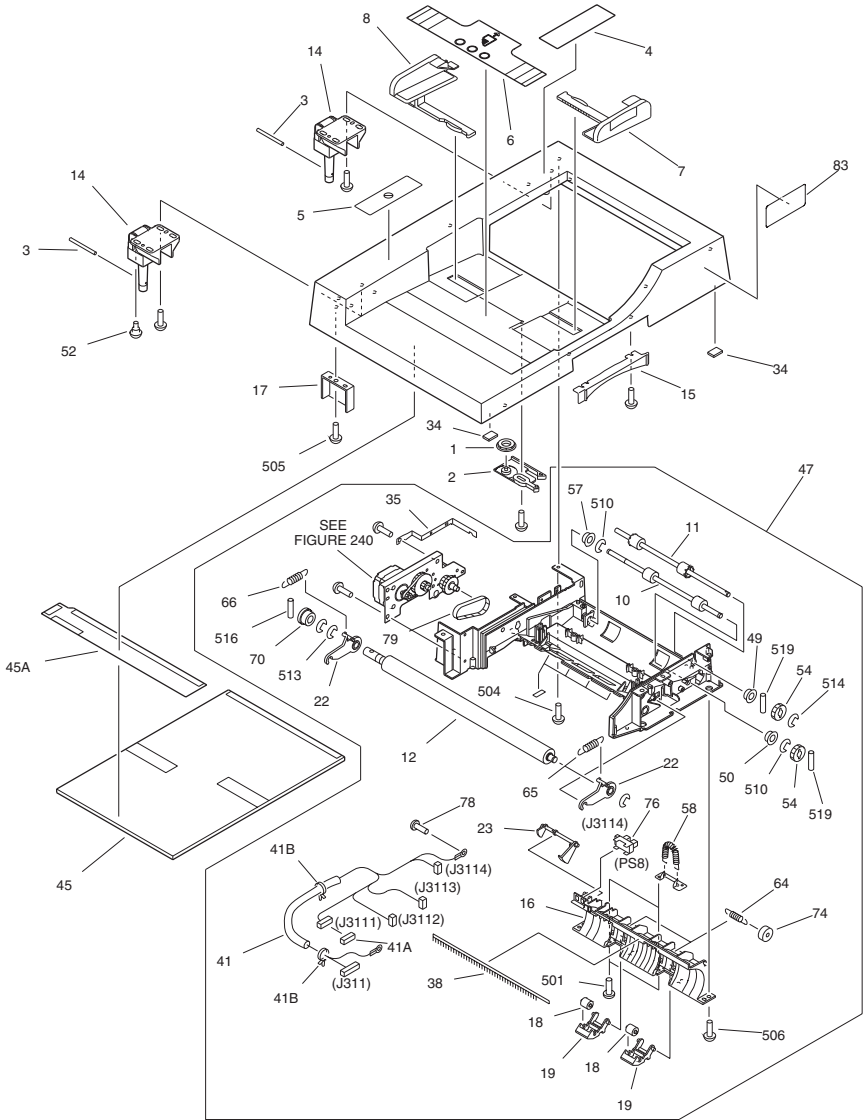


FIGURE & KEY NO.	PARTS NUMBER	RANK	Q'TY	DESCRIPTION	SERIAL NUMBER/REMARKS	S V C
Fig.160	FG6-7944-000		1	COPYBOARD COVER ASSEMBLY	ZTY,MTC,PVZ,QTL,UVB UVC,UVD,UVE,ZTW,UMA QRE	
1	FB6-0330-000		2	HINGE, COPYBOARD COVER		
2	FB6-0332-000		2	SHAFT, HINGE		
3	FB6-4237-000		1	SHEET, COPYBOARD		
4	FB6-6355-000		1	LABEL, SLIDE INDICATION	JQE,JRK,JSD	

FIGURE 161

ADF ASSEMBLY (MTD, MTE, QTM, UVF, UVG, UVH, UVJ, ZTZ, ZUB, MTF, MTG, UNA, UPA, QRF)



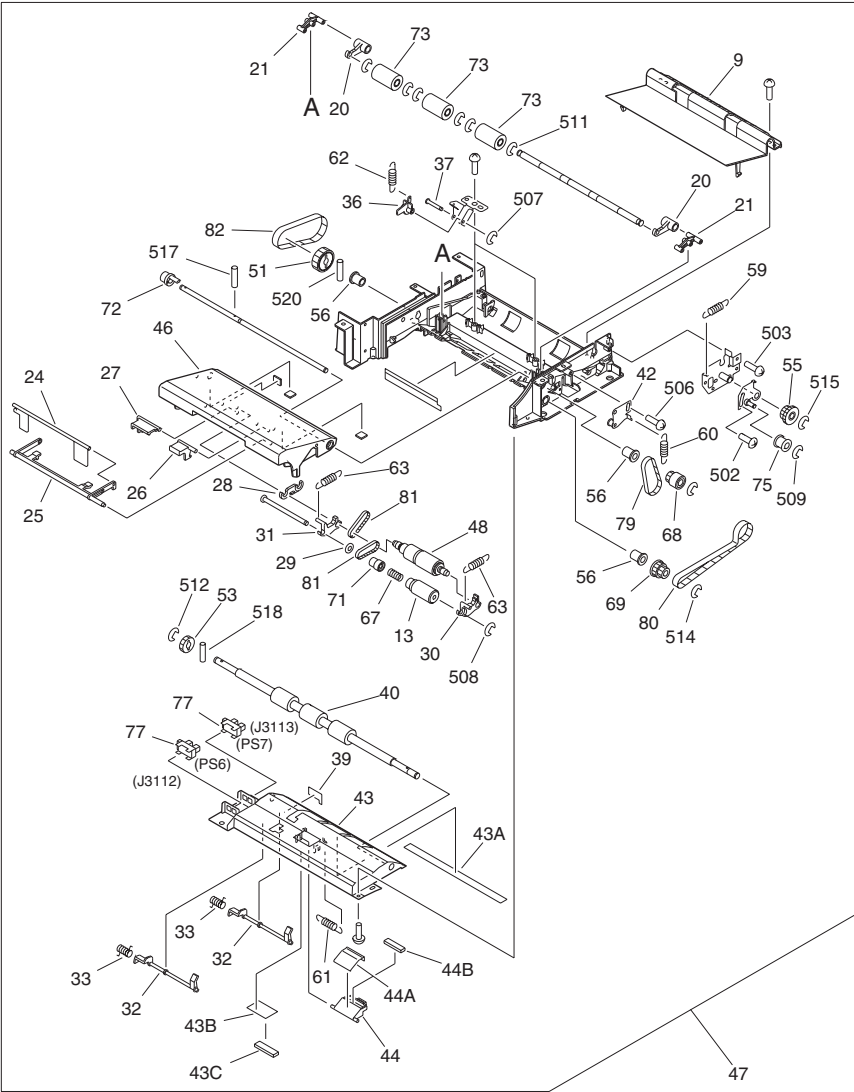


FIGURE & KEY NO.	PARTS NUMBER	RANK	Q'TY	DESCRIPTION	SERIAL NUMBER/REMARKS	SVC
Fig.161	NPN		RF	ADF ASSEMBLY	MTD,MTE,QTM,UVF,UVG UVH,UVJ,ZTZ,ZUB MTF,MTG,UNA,UPA,QRF	
1	FB3-3395-000		1	GEAR, 20T		
2	FB3-3396-000		1	PLATE, SLIDE		
3	FB6-0187-000		2	PIN, FIXING, DF HINGE		
4	FB6-2329-020		1	LABEL, 'COPYBOARD GLASS CLEAN'	ZTZ,ZUB	
4	FB6-2331-020		1	LABEL, 'COPYBOARD GLASS CLEAN'	QTM,UVF,UVG,UVH,UVJ UNA,UPA	
4	FB6-2333-020		1	LABEL, 'COPYBOARD GLASS CLEAN'	MTD,MTE,MTF,MTG,QRF	
5	FB6-5504-000		1	LABEL, PROHIBITED DOCUMENTS	ZTZ,ZUB	
5	FB6-5506-000		1	LABEL, PROHIBITED DOCUMENTS	QTM,UVF,UVG,UVH,UVJ UNA,UPA	
5	FB6-5507-000		1	LABEL, PROHIBITED DOCUMENTS	MTD,MTE,MTF,MTG,QRF	
6	FB6-5514-000		1	LABEL, 'PAPER SIZE'	ZTZ,ZUB	
6	FB6-5515-000		1	LABEL, 'PAPER SIZE'	QTM,UVF,UVG,UVH,UVJ	
6	FB6-5516-000		1	LABEL, 'PAPER SIZE'	MTD,MTE,MTF,MTG,QRF	
6	FB6-5515-000		1	LABEL, 'PAPER SIZE'	UNA,UPA	
7	FC5-0002-000		1	GUIDE, SIDE, FRONT		
8	FC5-0003-000		1	GUIDE, SIDE, REAR		
9	FC5-0004-000		1	TRAY, PAPER DELIVERY		
10	FC5-0005-000		1	ROLLER, PAPER FEED		
11	FC5-0006-000		1	ROLLER, PAPER DELIVERY		
12	FC5-0007-000		1	ROLLER, WHITE		
13	FC5-0009-000		1	ROLLER, PICK-UP		
14	FC5-0011-000		2	HINGE UNIT		
15	FC5-0013-000		1	HANDLE		
16	FC5-0014-000		1	GUIDE, DELIVERY, EXTERNAL		
17	FC5-0018-000		1	HOLDER, DF DETECT SENSOR		
18	FC5-0019-000		2	COLLAR, PAPER FEED		
19	FC5-0020-000		2	HOLDER, PAPER FEED COLLAR		
20	FC5-0021-000		2	ARM, REGIST. PRESSURE RELEASE		
21	FC5-0022-000		2	LINK, REGIST. PRESSURE RELEASE		
22	FC5-0023-020		2	ARM, SWING		

FIGURE & KEY NO.	PARTS NUMBER	R A N K	Q'TY	DESCRIPTION	SERIAL NUMBER/ REMARKS	S V C
23	FC5-0024-000		1	FLAG, DELIVERY SENSOR		
24	FC5-0025-000		1	SHUTTER		
25	FC5-0026-000		1	LINK, SHUTTER, 1		
26	FC5-0027-000		1	LINK, SHUTTER, 2		
27	FC5-0028-000		1	LINK, SHUTTER, 3		
28	FC5-0029-000		1	ARM, ROLLER SEPARATION		
29	FC5-0034-000		1	PAD		
30	FC5-0035-000		1	ARM, PAPER PICK-UP, FRONT		
31	FC5-0036-000		1	ARM, PAPER PICK-UP, REAR		
32	FC5-0037-000		2	FLAG, PAPER PICK-UP SENSOR		
33	FC5-0038-000		2	SPRING, TORSION		
34	FC5-0039-000		3	SEAL		
35	FC5-0047-000		1	PLATE, GROUNDING		
36	FC5-0052-000		2	ARM, REGIST COLLAR PRESSURE		
37	FC5-0054-000		2	SHAFT, REGIST PRESSURE ARM		
38	FC5-0057-000		1	ELIMINATOR, STATIC CHARGE		
39	FC5-0066-000		1	SHEET, PAPER PICK-UP SENSOR		
40	FC5-0070-000		1	ROLLER, REGISTRATION		
41	FG6-8836-000		1	CABLE, ADF	J311,3111-3114	
41A	VS1-5057-006		1	CONNECTOR, SNAP TIGHT	J3111	
41B	WT2-5565-000		2	CLAMP, CABLE		
42	FL2-0004-000		1	ARM, TENSION		
43	FL2-0005-000		1	GUIDE, REGISTRATION LOWER		
43A	FC5-0060-000		1	SHEET, REGIST. LOWER GUIDE		
43B	FC5-0063-000		1	SHEET, PICK-UP		
43C	FC5-0064-000		1	PAD, PICK-UP		
44	FL2-0006-000		1	PAD MOUNT UNIT		
44A	FC5-6087-000		1	PAD, RUBBER		
44B	FC5-6088-000		1	PAD, SPONGE		
45	FL2-0007-030		1	WHITE SHEET UNIT		
45A	FC5-0061-020		1	SHEET, A		
46	FL2-0008-000		1	PANEL, OPEN/CLOSE		

FIGURE & KEY NO.	PARTS NUMBER	RANK	Q'TY	DESCRIPTION	SERIAL NUMBER/REMARKS	SVC
47	FM2-0002-030	N	1	FRAME, FEEDER ASSEMBLY		
48	FM2-0015-000		1	SEPARATION ROLLER UNIT		
49	FS1-1512-000		2	BUSHING		
50	FS1-1569-000		1	BUSHING		
51	FS2-3511-000		1	PULLEY, 25T		
52	FS5-9740-000		1	SCREW, STEPPED, M4		
53	FU5-0001-000		1	GEAR, 18T		
54	FU5-0001-000		2	GEAR, 18T		
55	FU5-0002-000		1	GEAR, 30T/PULLEY 30T		
56	FU5-1001-000		3	BUSHING		
57	FU5-1002-000		1	BUSHING		
58	FU5-2001-000		2	SPRING, TENSION		
59	FU5-2002-000		1	SPRING, TENSION		
60	FU5-2003-000		1	SPRING, TENSION		
61	FU5-2004-000		1	SPRING, TENSION		
62	FU5-2005-000		2	SPRING, TENSION		
63	FU5-2006-000		2	SPRING, TENSION		
64	FU5-2007-000		2	SPRING, TENSION		
65	FU5-2008-000		1	SPRING, TENSION		
66	FU5-2009-000		1	SPRING, TENSION		
67	FU5-2010-000		1	SPRING, COMPRESSION		
68	FU5-3001-000		1	PULLEY, 18T		
69	FU5-3002-000		1	PULLEY, 18T/24T		
70	FU5-3003-000		1	PULLEY, 18T		
71	FU5-3006-000		1	PULLEY, 14T		
72	FU5-3007-000		1	PULLEY, 16T		
73	FU5-6001-000		3	COLLAR, REGISTRATION		
74	FU5-6002-000		2	COLLAR, PAPER DELIVERY		
75	FU5-6003-000		1	COLLAR, BELT IDLER		
76	WG8-5362-000		1	PHOTO-INTERRUPTER	PS8 J3114	
77	WG8-5362-000		2	PHOTO-INTERRUPTER	PS6,7 J3112,3113	
78	XA9-0265-000		1	SCREW, W/WASHER, TRUSS HEAD		

FIGURE & KEY NO.	PARTS NUMBER	RANK	Q'TY	DESCRIPTION	SERIAL NUMBER/REMARKS	SVC
79	XF2-1605-240		2	BELT, TIMING		
80	XF2-1611-240		1	BELT, TIMING		
81	XF9-0404-000		2	BELT, COGGED DRIVE, 71T		
82	XF9-0525-000		1	BELT, TIMING, 59T		
83	FB6-6355-000		1	LABEL, SLIDE INDICATION	JQE,JRK,JSD	
84	FC5-7552-000		1	SHEET,B		
501	XB1-2300-607		2	SCREW,MACH.,TRUSS HEAD,M3X6		
502	XB1-2400-609		1	SCREW,MACH.,TRUSS HEAD,M4X6		
503	XB4-5300-809		2	SCREW,P,M3X8		
504	XB4-5401-007		4	SCREW,P,M4X10		
505	XB4-5401-007		11	SCREW,P,M4X10		
506	XB4-5401-007		12	SCREW,P,M4X10		
507	XD2-1100-242		2	RING,E		
508	XD2-1100-322		1	RING,E		
509	XD2-1100-402		1	RING,E		
510	XD2-1100-402		3	RING,E		
511	XD2-1100-502		6	RING,E		
512	XD2-1100-502		1	RING,E		
513	XD2-1100-502		3	RING,E		
514	XD2-1100-502		5	RING,E		
515	XD2-1100-642		1	RING,E		
516	XD3-2200-082		1	PIN,DOWEL		
517	XD3-2200-102		1	PIN,DOWEL		
518	XD3-2200-102		1	PIN,DOWEL		
519	XD3-2200-102		3	PIN,DOWEL		
520	XD3-2200-122		1	PIN,DOWEL		

FIGURE 210 READER ASSEMBLY

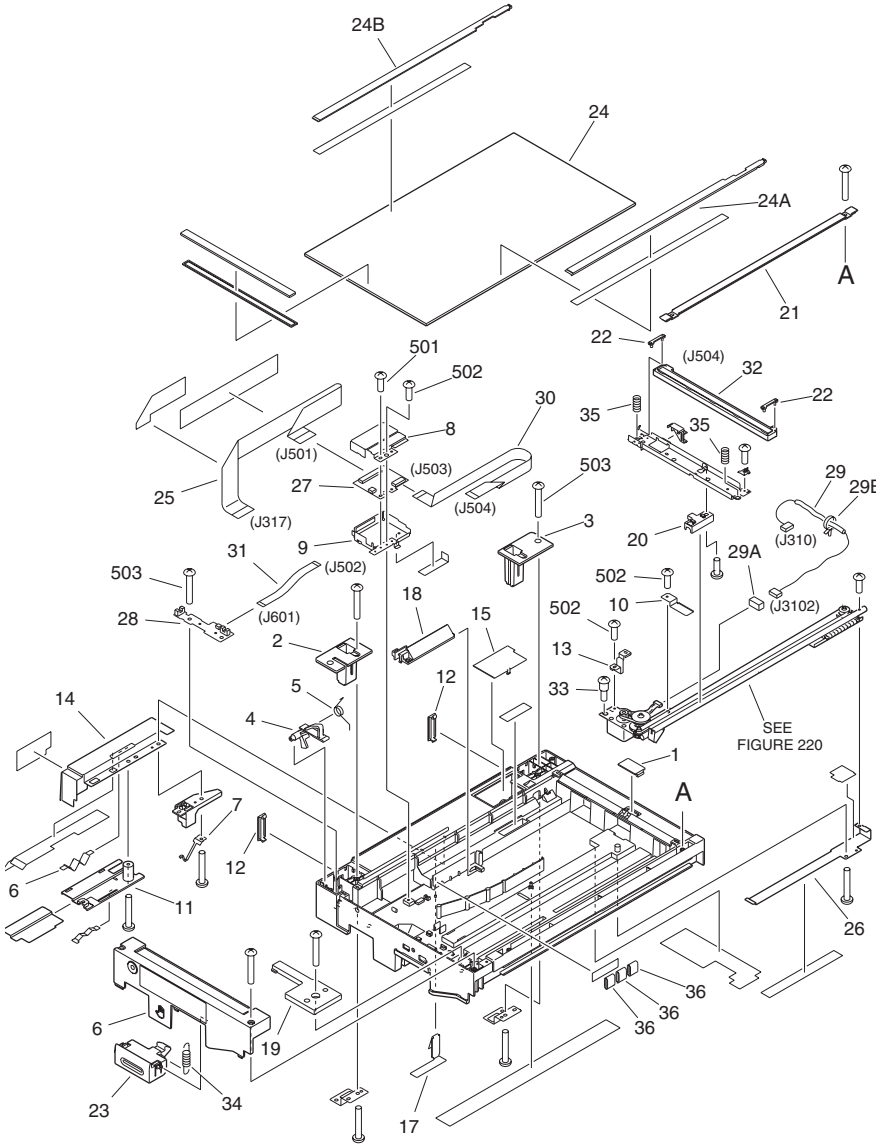


FIGURE & KEY NO.	PARTS NUMBER	RANK	QTY	DESCRIPTION	SERIAL NUMBER/REMARKS	SVC
Fig.210	NPN		RF	READER ASSEMBLY		

FIGURE & KEY NO.	PARTS NUMBER	R A N K	Q'TY	DESCRIPTION	SERIAL NUMBER/ REMARKS	S V C
1	FB6-0171-000		1	COVER, BLANKING, SMALL		
2	FB6-0172-000		1	MOUNT, DF, LEFT		
3	FB6-0173-000		1	MOUNT, DF, RIGHT		
4	FB6-0176-000		1	FLAG, SENSOR		
5	FB6-0177-000		1	SPRING, TORSION		
6	FB6-0181-000		1	GUIDE, DOCUMENT STOP		
7	FB6-0182-000		1	SPRING, LEAF		
8	FB6-0183-000		1	SHIELD, UPPER		
9	FB6-0184-000		1	SHIELD, LOWER		
10	FB6-0185-000		1	PLATE, GROUNDING, LEFT		
11	FB6-0189-000		1	REAR COVER, LOWER		
12	FB6-0191-000		2	COVER, REAR		
13	FB6-0197-000		1	PLATE, GROUNDING		
14	FB6-0198-000		1	COVER, SHIELD		
15	FB6-0204-000		1	COVER, BLANKING	ZTY,MTC,PVZ,QTL,UVB UVC,UVD,UVE,ZTW,UMA QRE	
15	FB6-0178-000		1	COVER, READER	MTD,MTE,QT,M,UVF,UVG UVH,UVJ,ZTZ,ZUB,MTF MTG,UNA,UPA,QRF	
16	FB6-0208-000		1	SPRING, LEAF		
17	FB6-0210-000		1	SPRING, LEAF		
18	FB6-0211-000		1	GUIDE, PRESS DOWN		
19	FB6-0212-000		1	GUIDE, PRESS DOWN		
20	FB6-0224-000		1	BLOCK, SLIDE		
21	FB6-0229-000		1	COVER, FRONT		
22	FB6-0237-000		2	SPACER		
23	FB6-0324-000		1	LEVER, READER		
24	FF6-1435-000		1	GLASS, COPYBOARD		
24A	FB6-0202-000		1	GUIDE, POSITIONING, FRONT		
24B	FB6-0203-000		1	GUIDE, POSITIONING, REAR		
25	FF6-1443-000		1	CABLE, FLAT	J317,501	
26	FF6-1456-000		1	PLATE, GROUNDING, RIGHT		
27	FG6-8800-000		1	ANALOG PROCESSOR PCB ASSEMBLY	iR1210,iR1230,iR1270F,iR 1310,iR1330,iR1370F	

FIGURE & KEY NO.	PARTS NUMBER	R A N K	Q'TY	DESCRIPTION	SERIAL NUMBER/ REMARKS	S V C
27	FM1-0457-000		1	ANALOG PROCESSOR PCB ASSEMBLY	iR1510,iR1530,iR1570F,iR1610,iR1630,iR1670F	
28	FG6-8801-000		1	SENSOR PCB ASSEMBLY	iR1210,iR1230,iR1270F,iR1310,iR1330,iR1370F	
28	FM1-0458-000		1	SENSOR PCB ASSEMBLY	iR1510,iR1530,iR1570F,iR1610,iR1630,iR1670F	
29	FG6-8839-000		1	CABLE, READER MOTOR CONNECTING	J310,3102	
29A	VS1-5057-004		1	CONNECTOR, SNAP TIGHT	J3102	
29B	WT2-5565-000		1	CLAMP, CABLE		
30	FH2-7062-000		1	CABLE, FLAT	J503,504	
31	FH2-6931-000		1	CABLE, FLAT	J502,601	
32	FH7-7565-000		1	CONTACT IMAGE SENSOR UNIT	J504	
33	FS5-9740-000		1	SCREW, STEPPED, M4		
34	FS7-2687-000		1	SPRING, TENSION		
35	FS7-2698-000		2	SPRING, COMPRESSION		
36	WE8-5885-000		3	CORE, FERRITE		
501	XB1-2300-607		2	SCREW, MACH., TRUSS HEAD, M3X6		
502	XB1-2300-607		5	SCREW, MACH., TRUSS HEAD, M3X6		
503	XB4-5401-007		20	SCREW, P, M4X10		

FIGURE 220
READER DRIVE ASSEMBLY

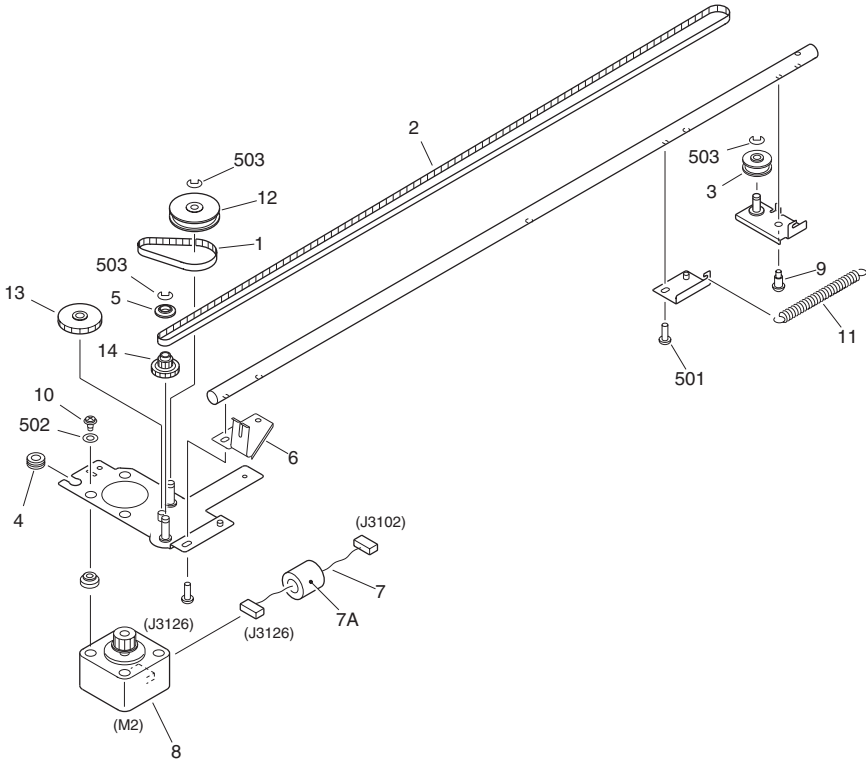


FIGURE & KEY NO.	PARTS NUMBER	RANK	QTY	DESCRIPTION	SERIAL NUMBER/REMARKS	SVC
Fig.220	FG6-7933-000		1	READER DRIVE ASSEMBLY		
1	FB6-0214-000		1	BELT, MOTOR DRIVE		
2	FB6-0215-000		1	BELT, TIMING		
3	FB6-0216-000		1	PULLEY, 20T		
4	FB6-0219-000		1	GROMMET		
5	FB6-0233-000		1	FLANGE		
6	FB6-0235-000		1	SPRING, LEAF		
7	FG6-8550-000		1	CABLE, READER MOTOR	J3102,3126	
7A	WE8-5941-000		1	CORE, FERRITE	QTM,UVF,UVG,UVH,UVJ,UNA,MTF,MTG,UPA,QRF,ZTW,ZTZ,ZUB,JQF,JRG,JRH,JRJ,JQG,JQH,JRC,JRD,JRF,JQE	

FIGURE & KEY NO.	PARTS NUMBER	RANK	Q'TY	DESCRIPTION	SERIAL NUMBER/REMARKS	SVC
7A	WE8-6068-000		1	CORE, FERRITE	JRK,JSD,JRY,JSC,JSP,JSQ,JSR,JRL,JRM,JRP,JRW,JRX,JSE,JSF,JSG,JSM,JSN	
8	FH6-1922-000		1	MOTOR, STEPPING	M2 J3126	
9	FS2-9478-000		1	SCREW, STEPPED, M3X3		
10	FS5-9739-000		3	SCREW,STEPPED,M3		
11	FS7-2701-000		1	SPRING, TENSION		
12	FU3-0075-000		1	PULLEY, 37T/GRAR, 16T		
13	FU3-0076-000		1	GEAR, 45T		
14	FU3-0107-000		1	PULLEY, 13T/GEAR, 28T		
501	XB6-7300-607		2	SCREW,TP,M3X6		
502	XD1-1104-131		3	SHIM		
503	XD2-1100-322		3	RING,E		

FIGURE 240

ADF DRIVE ASSEMBLY(MTD,MTE,QTM,UVF,UVG,UVH,UVJ,ZTZ,ZUB,MTF,MTG,UNA,UPA,QRF)

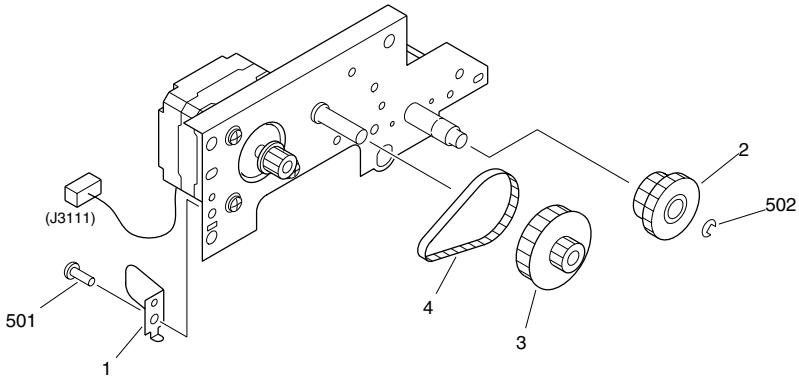


FIGURE & KEY NO.	PARTS NUMBER	RANK	QTY	DESCRIPTION	SERIAL NUMBER/REMARKS	SVC
Fig.240	FM2-0004-000		1	ADF DRIVE ASSEMBLY	MTD,MTE,QTM,UVF,UVG UVH,UVJ,ZTZ,ZUB,MTF MTG,UNA,UPA,QRF	
1	FC5-0065-000		1	SPRING, LEAF		
2	FU5-0002-000		1	GEAR, 30T/PULLEY 30T		
3	FU5-3004-000		1	PULLEY, 20T/48T		
4	XF2-1606-440		1	BELT, TIMING		
501	XB2-7300-407		1	SCREW,W/WASHER,M3X4		
502	XD2-1100-642		1	RING,E		

FIGURE 250 MAIN DRIVE ASSEMBLY

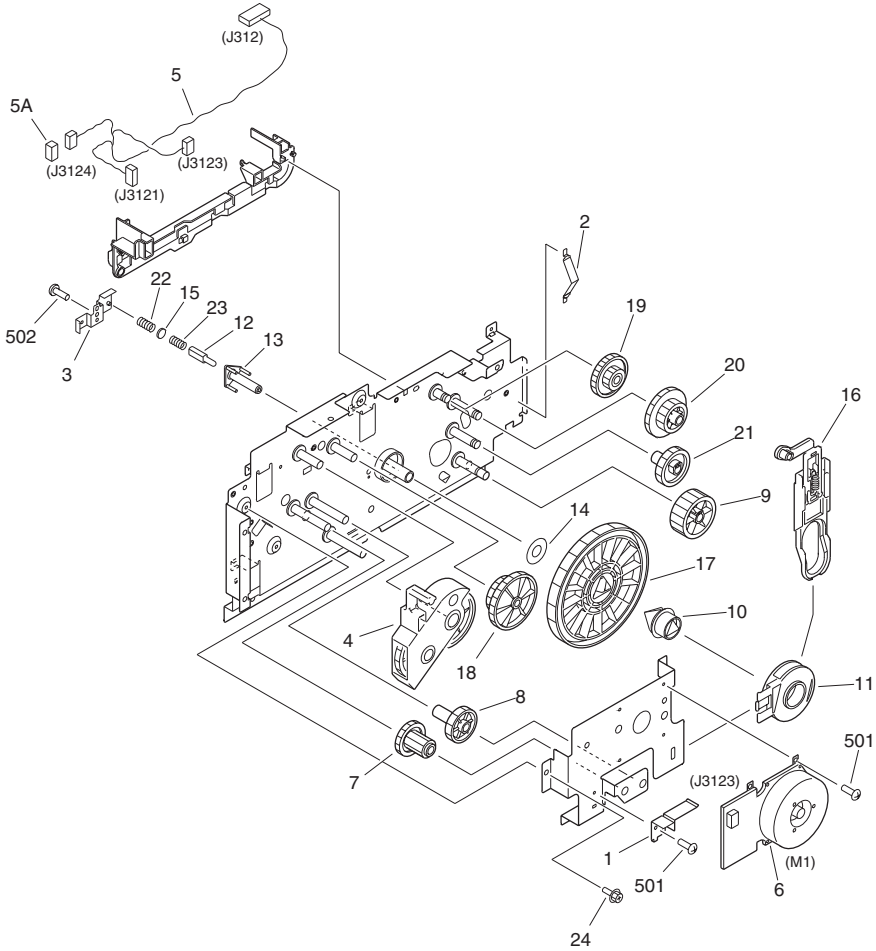


FIGURE & KEY NO.	PARTS NUMBER	RANK	QTY	DESCRIPTION	SERIAL NUMBER/REMARKS	SVC
Fig.250	FG6-7923-000		1	MAIN DRIVE ASSEMBLY	iR1210,iR1230,iR1270F,iR1310,iR1330,iR1370F	
Fig.250	FM5-1012-000		1	MAIN DRIVE ASSEMBLY	iR1510,iR1530,iR1570F,iR1610,iR1630,iR1670F	
1	FB6-0321-000		1	COVER, GEAR		
2	FB6-4573-000		1	SPRING, LEAF		
3	FB6-5519-000		1	PLATE, SPRING		

FIGURE & KEY NO.	PARTS NUMBER	RANK	Q'TY	DESCRIPTION	SERIAL NUMBER/REMARKS	SVC
4	FG6-7924-000		1	SWING GEAR UNIT		
5	FG6-8834-000		1	CABLE, MOTOR/FAN	J312,3121,3123,3124	
5A	VS1-5057-003		1	CONNECTOR, SNAP TIGHT	J3124	
6	FH6-1923-000		1	MOTOR, DC BRUSHLESS	iR1210,iR1230,iR1270F,iR1310,iR1330,iR1370F M1 J3123	
6	FH5-1088-000		1	MOTOR, DC BRUSHLESS	iR1510,iR1530,iR1570F,iR1610,iR1630,iR1670F M1 J3123	
7	FU3-0068-000		1	GEAR, 14T/28T		
8	FU3-0069-000		1	GEAR ,28T		
9	FU3-0070-000		1	GEAR, 36T		
10	RB2-2935-000		1	SHAFT, COUPLING		
11	RB2-2936-000		1	BUSHING		
12	RB2-2943-000		1	PIN		
13	RB2-2947-000		1	HOLDER, PIN		
14	RB2-2949-000		1	WASHER		
15	RB2-2950-000		1	FLANGE, SPRING		
16	RG9-1473-000		1	COUPLING ASS'Y		
17	RS6-0446-000		1	GEAR, 201T		
18	RS6-0447-000		1	GEAR, 58T/92T		
19	RS6-0448-000		1	GEAR, 17T/68T		
20	RS6-0449-000		1	GEAR, 25T/41T		
21	RS6-0450-000		1	GEAR, 31T		
22	RS6-2027-020		1	SPRING, COMPRESSION		
23	RS6-2031-000		1	SPRING, COMPRESSION		
24	XA9-1164-000		3	SCREW,RS,M3X6.5		
501	XB1-2300-607		5	SCREW,MACH.,TRUSS HEAD,M3X6		
502	XB2-7300-407		1	SCREW,W/WASHER,M3X4		

FIGURE 300
CASSETTE(ZTY)

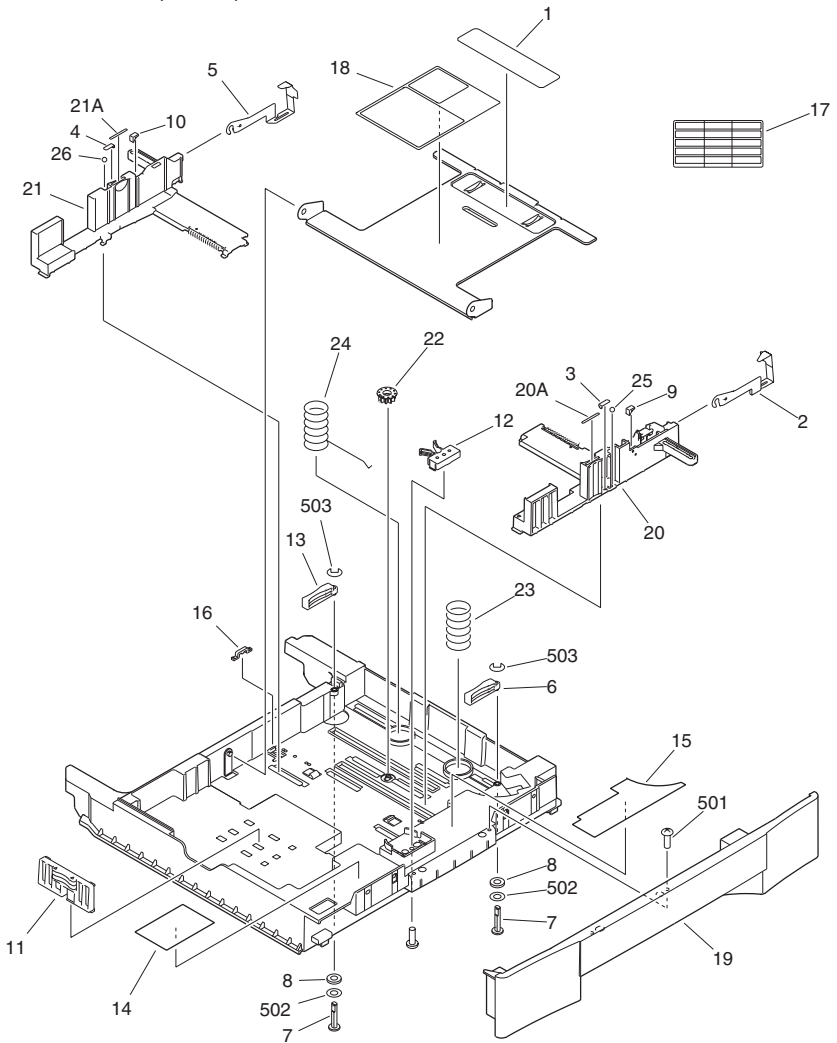


FIGURE & KEY NO.	PARTS NUMBER	RANK	QTY	DESCRIPTION	SERIAL NUMBER/REMARKS	SVC
Fig.300	NPN		1	CASSETTE	ZTY	
1	FB5-0159-000		1	SHEET, SEPARATION		
2	FB5-0161-000		1	CLAW, SEPARATION, FRONT		

FIGURE & KEY NO.	PARTS NUMBER	RANK	Q'TY	DESCRIPTION	SERIAL NUMBER/REMARKS	SVC
3	FB5-0165-000		1	SPRING, LEAF		
4	FB5-0165-000		1	SPRING, LEAF		
5	FB5-0167-000		1	CLAW, SEPARATION, REAR		
6	FB5-0168-000		1	LEVER, SIDE PLATE LOCK, FRONT		
7	FB5-0169-000		2	SHAFT, LOCK LEVER		
8	FB5-0170-000		2	PAD, RUBBER		
9	FB5-0171-000		1	SUPPORT, CLAW		
10	FB5-0171-000		1	SUPPORT, CLAW		
11	FB5-0172-000		1	PLATE, END SIDE LIMIT		
12	FB5-0173-000		1	GUIDE, POSITIONING		
13	FB5-0175-000		1	LEVER, SIDE PLATE LOCK, REAR		
14	FB5-0176-000		1	LABEL, PAPER INSTRUCTION		
15	FB5-0177-000		1	LABEL, SIZE CHANGE INSTRUCTION		
16	FB5-0180-000		1	SUPPORT, STOP		
17	FB5-0181-000		1	LABEL, SIZE CHANGE		
18	FF5-9033-030		1	PLATE, PAPER LIFTING		
19	FB6-0328-000		1	PANEL, CASSETTE, FRONT		
20	FF5-9034-000		1	PLATE, SIDE LIMIT, FRONT		
20A	FB5-0178-000		1	LABEL, SIDE PLATE OPERATION		
21	FF5-9035-000		1	PLATE, SIDE LIMIT, REAR		
21A	FB5-0178-000		1	LABEL, SIDE PLATE OPERATION		
22	FS7-0457-000		1	GEAR, 10T		
23	FS7-2201-000		1	SPRING, COMPRESSION		
24	FS7-2202-000		1	SPRING, COMPRESSION		
25	X71-7503-000		1	BALL, SLIDE CLICK FEELING		
26	X71-7503-000		1	BALL, SLIDE CLICK FEELING		
501	XB4-7400-809		3	SCREW,TAPPING,TRUSS HEAD,M4X8		
502	XD1-1104-635		2	SHIM		
503	XD2-1200-202		2	RING,E		

FIGURE 301
CASSETTE(QTL,UVB,UVC,UVD,UVE,QTM,UVF,UVG
UVH,UVJ,UMA,UNA,UPA)

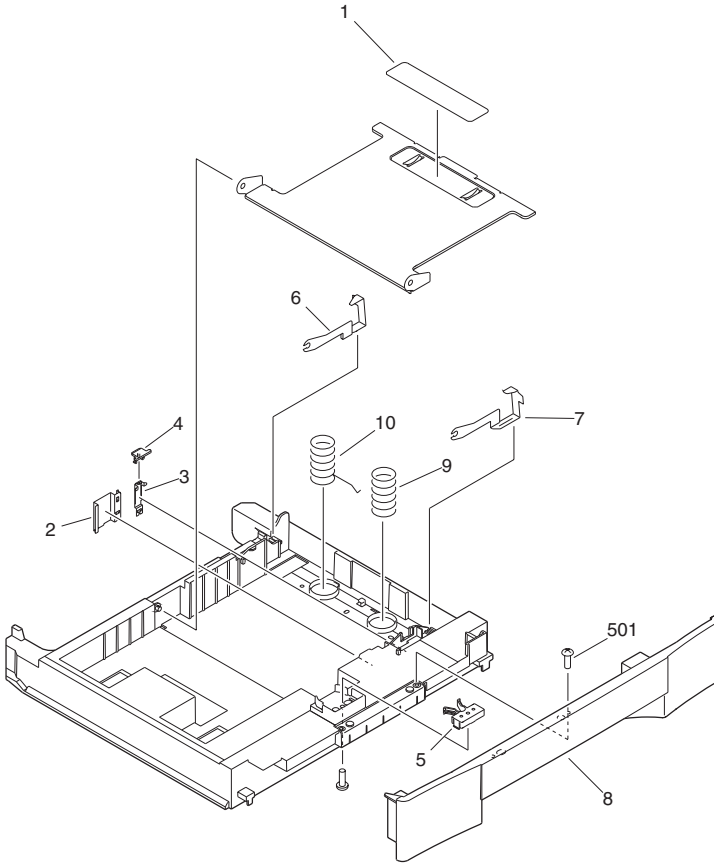


FIGURE & KEY NO.	PARTS NUMBER	RANK	QTY	DESCRIPTION	SERIAL NUMBER/REMARKS	SVC
Fig.301	NPN		RF	CASSETTE	QTL,UVB,UVC,UVD,UVE QTM,UVF,UVG,UVH,UVJ UMA,UNA,UPA	
1	FB5-0159-000		1	SHEET, SEPARATION		
2	FB5-0162-000		1	SPRING, LEAF		
3	FB5-0163-000		1	SPRING, LEAF		
4	FB5-0164-000		1	RETAINER, SIDE		

FIGURE & KEY NO.	PARTS NUMBER	RANK	Q'TY	DESCRIPTION	SERIAL NUMBER/REMARKS	SVC
5	FB5-0173-000		1	GUIDE, POSITIONING		
6	FB5-2843-00S		1	CLAW, SEPARATION, FRONT		
7	FB5-2844-00S		1	CLAW, SEPARATION, REAR		
8	FB6-0328-000		1	PANEL, CASSETTE, FRONT		
9	FS7-2201-000		1	SPRING, COMPRESSION		
10	FS7-2202-000		1	SPRING, COMPRESSION		
501	XB4-7400-809		3	SCREW,TAPPING,TRUSS HEAD,M4X8		

FIGURE 302
CASSETTE (MTC, PVZ, MTD, MTE, ZTW, ZTZ, ZUB, MTF, MTG, QRE, QRF)

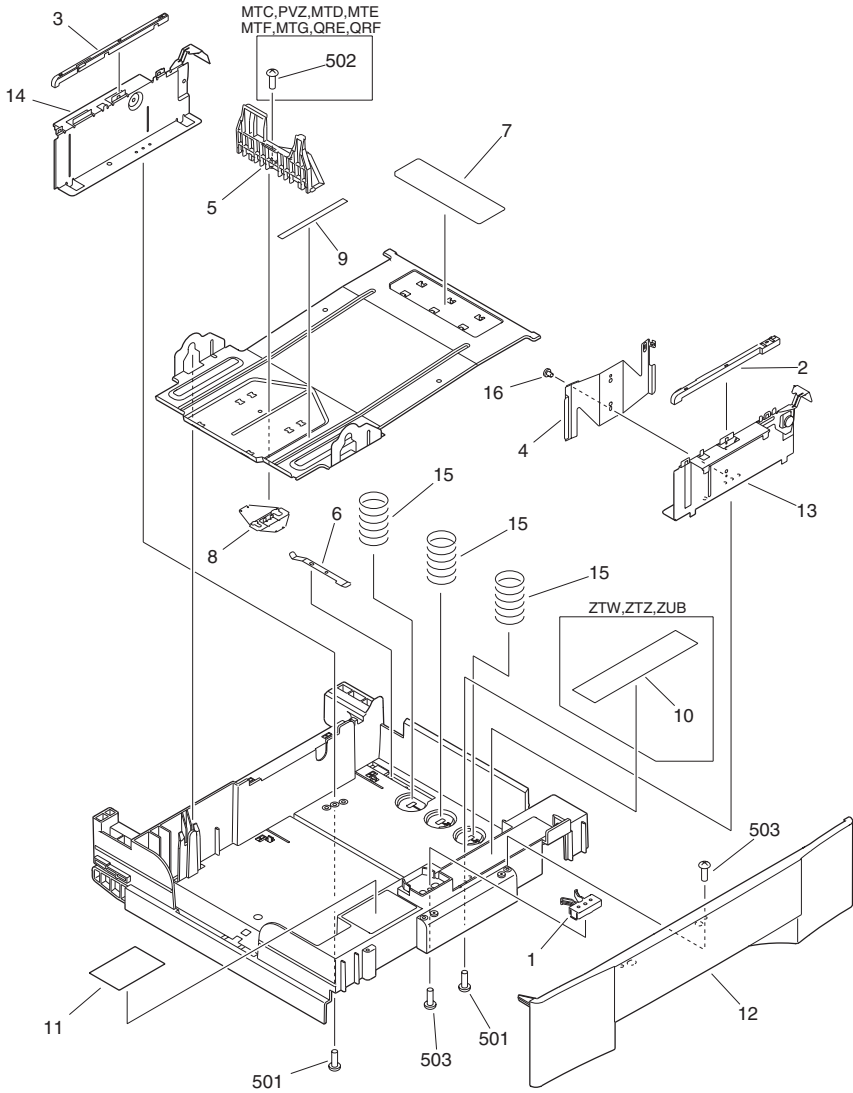
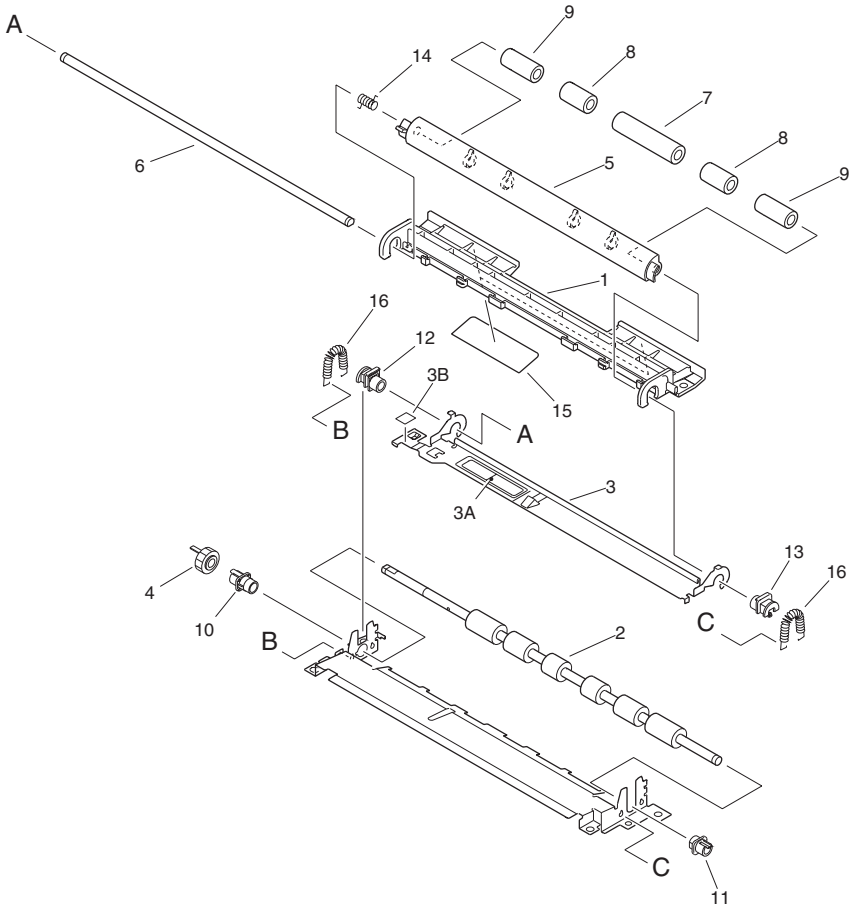


FIGURE & KEY NO.	PARTS NUMBER	R A N K	Q'TY	DESCRIPTION	SERIAL NUMBER/REMARKS	S V C
Fig.302	NPN		RF	CASSETTE	MTC,PVZ,MTD,MTE,ZTW ZTZ,ZUB,MTF,MTG,QRE QRF	
1	FB5-0173-000		1	GUIDE, POSITIONING		
2	FB5-0218-000		1	COVER, LIMIT PLATE, FRONT		
3	FB5-0219-000		1	COVER, LIMIT PLATE, REAR		
4	FB5-0220-000		1	SPRING, LEAF, SIDE LIMIT		
5	FB5-0221-000		1	PLATE, END SIDE LIMIT		
6	FB5-0222-000		1	SPRING, LEAF		
7	FB5-0229-000		1	SHEET, SEPARATION		
8	FB5-0230-000		1	SPRING, LEAF, END LIMIT		
9	FB5-0231-000		1	LABEL, PAPER SIZE		
10	FB5-0232-000		1	LABEL, END LIMIT	ZTW,ZTZ,ZUB	
11	FB5-0233-000	N	1	LABEL, PAPER SET	MTC,PVZ,MTD,MTE,MTF MTG,QRE,QRF	
11	FB5-0234-000	N	1	LABEL, PAPER SET	ZTW,ZTZ,ZUB	
12	FB6-0329-000		1	PANEL, CASSETTE, FRONT		
13	FF5-9073-000		1	PLATE, SIDE LIMIT, FRONT		
14	FF5-9074-000		1	PLATE, SIDE LIMIT, REAR		
15	FS7-2211-000		3	SPRING, COMPRESSION		
16	XA9-0903-000		2	SCREW,M3X5		
501	XB1-2300-809		2	SCREW,MACH.,TRUSS HEAD,M3X8		
502	XB4-7300-505		1	SCREW,TAPPING,TRUSS HEAD,M3X5	MTC,PVZ,MTD,MTE,MTF MTG,QRE,QRF	
503	XB4-7400-809		4	SCREW,TAPPING,TRUSS HEAD,M4X8		

FIGURE 320 REGISTRATION ASSEMBLY



NOTE: This assembly does not include the part shown with key No.4.

FIGURE & KEY NO.	PARTS NUMBER	R A N K	Q'TY	DESCRIPTION	SERIAL NUMBER/ REMARKS	S V C
Fig.320	FG6-7926-000		1	REGISTRATION ASSEMBLY	SEE NOTE	
1	FB6-0160-000		1	GUIDE, REGISTRATION FRONT		
2	FB6-5512-000		1	ROLLER, REGISTRATION		
3	FF6-1441-000		1	GUIDE, TRANSFER, UPPER		
3A	FB6-2302-000		1	LABEL, JAM		
3B	RB2-2923-000		1	LABEL, TRANSFER GUIDE		
4	FU3-0071-000		1	GEAR, 14T		
5	RB2-2909-000		1	SHUTTER, REGISTRATION		
6	RB2-2910-000		1	SHAFT, REGISTRATION ROLLER		
7	RB2-2911-000		1	ROLLER		
8	RB2-2912-000		2	ROLLER		
9	RB2-2913-000		2	ROLLER		
10	RB2-2918-000		1	BUSHING, RIGHT		
11	RB2-2919-000		1	BUSHING, LEFT		
12	RB2-2920-000		1	BUSHING		
13	RB2-2921-000		1	BUSHING		
14	RB2-2922-000		1	SPRING, TORSION		
15	RB2-2933-000		2	SHEET, REGISTRATION FRONT		
16	RS6-2026-000		2	SPRING, TENSION		

FIGURE 330 PAPER FEEDER ASSEMBLY

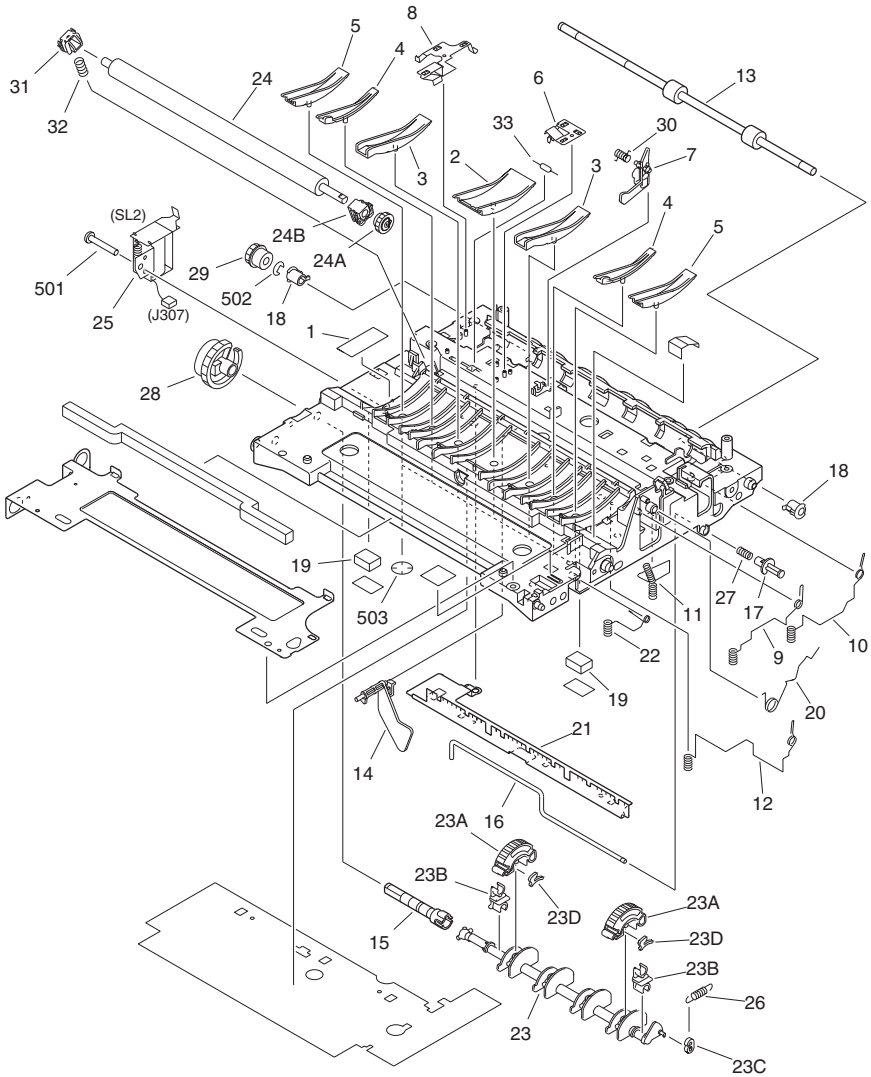


FIGURE & KEY NO.	PARTS NUMBER	R A N K	Q'TY	DESCRIPTION	SERIAL NUMBER/ REMARKS	S V C
Fig.330	NPN		RF	PAPER FEEDER ASSEMBLY		
1	FB2-9653-000		1	LABEL, CAUTION	EXCEPT QRE,QRF	
1	FC3-0030-000		1	LABEL, CAUTION	QRE,QRF	
2	FB6-0079-000		1	GUIDE, PAPER FEED, 1		
3	FB6-0080-000		2	GUIDE, PAPER FEED, 2		
4	FB6-0081-000		2	GUIDE, PAPER FEED, 3		
5	FB6-0082-000		2	GUIDE, PAPER FEED, 4		
6	FB6-0157-000		1	SPRING, LEAF		
7	FB6-0158-000		1	FLAG, REGISTRATION SENSOR		
8	FB6-0162-000		1	SPRING, LEAF, GROUNDING		
9	FB6-0166-000		1	SPRING UNIT, CONTACT		
10	FB6-0167-000		1	SPRING UNIT, CONTACT		
11	FB6-0168-000		1	SPRING UNIT, CONTACT		
12	FB6-0169-000		1	SPRING UNIT, CONTACT		
13	FB6-0258-000		1	ROLLER, PAPER FEED		
14	FB6-0241-000		1	FLAG, PAPER SENSOR		
15	FB6-0245-000		1	SHAFT, JOINT		
16	FB6-0248-000		1	ARM, RETURN		
17	FB6-0260-000		1	GUIDE, ARM		
18	FB6-0261-000		2	BUSHING		
19	FB6-0274-000		2	SEAL, PAPER FEED FRAME		
20	FB6-0286-000		1	SPRING, TORSION		
21	FB6-0296-000		1	ELIMINATOR, STATIC CHARGE		
22	FB6-0297-000		1	SPRING UNIT, CONTACT		
23	FG6-7954-000		1	PAPER PICK-UP SHAFT ASSEMBLY		
23A	FB4-9817-030		2	ROLLER, PICK-UP		
23B	FB4-9819-000		2	HOLDER, PICK-UP SHAFT		
23C	FB4-9820-000		1	COLLAR, SPRING		
23D	FB4-9847-000		2	SPACER, PICK-UP ROLLER		
24	FG6-9504-000		1	TRANSFER ROLLER UNIT		
24A	FU3-0441-000		1	GEAR, 17T		
24B	RB2-2925-020		1	BUSHING, TRANSFER, LEFT		

FIGURE & KEY NO.	PARTS NUMBER	RANK	Q'TY	DESCRIPTION	SERIAL NUMBER/REMARKS	SVC
25	FH6-5037-000		1	SOLENOID	SL2 J307	
26	FS7-2689-000		1	SPRING, TENSION		
27	FS7-2690-000		1	SPRING, COMPRESSION		
28	FU3-0073-000		1	GEAR, 32T		
29	FU3-0074-000		1	GEAR, 14T		
30	RB2-2843-000		1	SPRING, TORSION		
31	RB2-2926-020		1	BUSHING, TRANSFER, RIGHT		
32	RS6-2022-000		1	SPRING, COMPRESSION		
33	WA1-6525-000		1	DIODE, V17C33A		
501	XB4-5401-007		1	SCREW,P,M4X10		
502	XD2-1100-502		1	RING,E		
503	XD2-2300-302		7	RING,TOOTHED LOCK		

FIGURE 460 LASER SCANNER ASSEMBLY

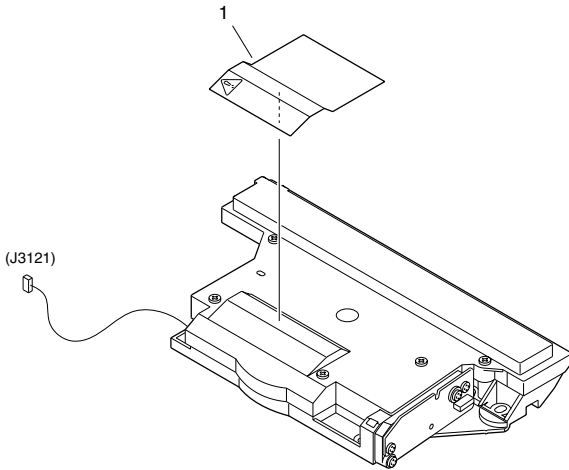


FIGURE & KEY NO.	PARTS NUMBER	RANK	QTY	DESCRIPTION	SERIAL NUMBER/REMARKS	SVC
Fig.460	FG6-7925-000		1	SCANNER ASSEMBLY	iR1210,iR1230,iR1270F,iR1310,iR1330,iR1370F	
Fig.460	FM5-0995-000		1	SCANNER ASSEMBLY	iR1510,iR1530,iR1570F,iR1610,iR1630,iR1670F	
1	RS6-8382-000		1	LABEL, 'WARNING LASER'	iR1210,iR1230,iR1270F,iR1310,iR1330,iR1370F	
1	RU5-8126-000		1	LABEL, 'WARNING LASER'	iR1510,iR1530,iR1570F,iR1610,iR1630,iR1670F	

FIGURE 640
DEVELOPING ASSEMBLY

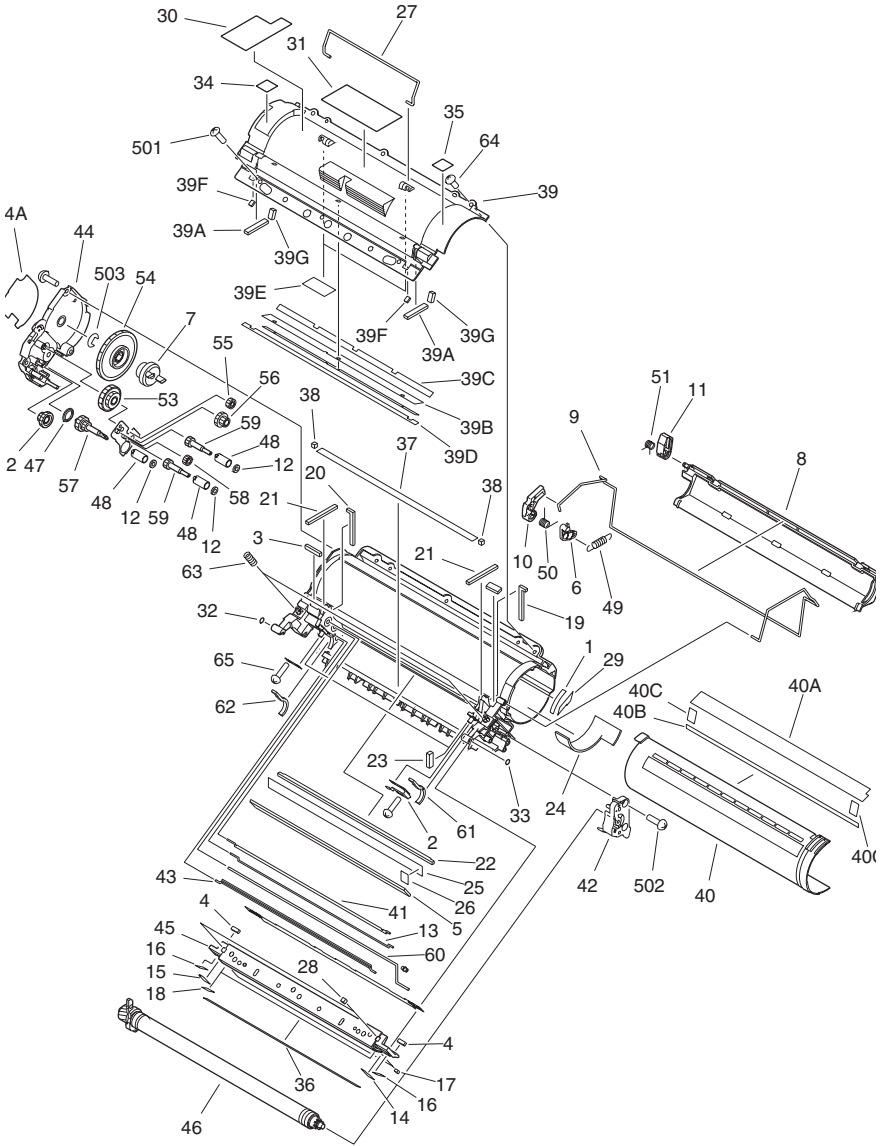


FIGURE & KEY NO.	PARTS NUMBER	R A N K	Q'TY	DESCRIPTION	SERIAL NUMBER/ REMARKS	S V C
Fig.640	FG6-9528-000		1	DEVELOPING ASSEMBLY		
1	FB3-0687-000		1	SEAL, OPEN GUIDE, 1		
2	FB6-4672-000		1	PLATE, GROUNDING		
3	FB6-4677-000		2	SEAL, AUXILIARY, 2		
4	FB6-4679-000		2	SEAL, SCRAPER		
5	FB6-4684-000		1	SHEET, DEVELOPING CONTAINER		
6	FB6-4685-000		1	ARM, SHUTTER		
7	FB6-4687-000		1	JOINT, DRIVE		
8	FB6-4689-000		1	SHUTTER, DEVELOPING		
9	FB6-4690-000		1	ROD, SHUTTER		
10	FB6-4691-000		1	ARM, SHUTTER		
11	FB6-4692-000		1	ARM, SHUTTER, 2		
12	FB6-4693-000		3	SEAL, STIRRER GEAR		
13	FB6-4694-000		1	ROD, STIRRING, 2		
14	FB6-4700-000		1	SHEET, TONER, FRONT		
15	FB6-4701-000		1	SHEET, TONER, REAR		
16	FB6-4702-000		2	SHEET, ROLLER SCRAPER		
17	FB6-4703-000		2	SEAL, BASE PLATE		
18	FB6-4704-000		2	SHEET, BLANKING		
19	FB6-4705-000		1	SEAL, D-S, FRONT		
20	FB6-4706-000		1	SEAL, D-S, REAR		
21	FB6-4707-000		2	SEAL, D-S, VERTICAL		
22	FB6-4708-000		1	SEAL, D-S, SIDE		
23	FB6-4709-000		2	SEAL, DEVELOPING, SIDE		
24	FB6-4710-000		1	SEAL, BOTTLE, INTERNAL		
25	FB6-4711-000		1	SHEET, SHUTTER CLEANING		
26	FB6-4712-000		1	SHEET, SHUTTER CLEANING, SMALL		
27	FB6-4762-000		1	HANDLE, DEVELOPING		
28	FB6-4764-000		2	SEAL, BASE AUXILIARY		
29	FB6-4766-000		1	SEAL, OPEN GUIDE		
30	FB6-4782-000		1	LABEL, DEVELOPING UNIT WARNING		
31	FB6-4784-000		1	LABEL, DEVEL. ASS'Y INHIBITED		

FIGURE & KEY NO.	PARTS NUMBER	R A N K	Q'TY	DESCRIPTION	SERIAL NUMBER/ REMARKS	S V C
32	FB6-4822-000		1	LABEL, JOINT, LEFT		
33	FB6-4823-000		1	LABEL, JOINT, RIGHT		
34	FB6-4824-000		1	LABEL, INSTALLATION, LEFT		
35	FB6-4825-000		1	LABEL, INSTALLATION, RIGHT		
36	FB6-4835-000		1	SHEET, BLADE BASE		
37	FB6-4837-000		1	SHEET, PREVENTION		
38	FB6-4838-000		2	SEAL, MAGNET, SIDE		
39	FF6-2289-000		1	COVER, DEVELOPING CONTAINER		
39A	FB6-4670-000		2	SEAL, AUXILIARY, 4		
39B	FB6-4674-000		1	SHEET, L-S		
39C	FB6-4676-000		1	SEAL, AUXILIARY SHUTTER		
39D	FB6-4713-000		1	SEAL, COVER		
39E	FB6-4763-000		2	SHEET, HANDLE COVER		
39F	FB6-4765-000		2	SEAL, AUXILIARY, 3		
39G	FB6-4829-000		2	SEAL, AUXILIARY, 5		
40	FF6-2290-000		1	SHUTTER, BOTTLE		
40A	FB6-4761-000		1	SEAL, SHUTTER, HORIZONTAL		
40B	FB6-4827-000		1	SEAL, SHUTTER, HORIZONTAL		
40C	FB6-4828-000		2	SEAL, SHUTTER, VERTICAL		
41	FF6-2295-000		1	ROD, STIRRING, 3		
42	FF6-2296-000		1	HOLDER, DEVELOPING, LEFT		
43	FF6-2297-000		1	ROD, DEVELOPING STIRRING		
44	FF6-2299-000		1	HOLDER, DEVELOPING, RIGHT		
44A	FB6-4826-000		1	LABEL, INSTALLATION, RIGHT, 2		
45	FG6-9532-000		1	BLADE UNIT		
46	FG6-9533-000		1	CYLINDER, DEVELOPING		
47	FS6-1091-000		1	BUSHING		
48	FS6-1094-000		3	BUSHING		
49	FS7-2926-000		1	SPRING, TENSION		
50	FS7-2927-000		1	SPRING, TORSION		
51	FS7-2928-000		1	SPRING, TORSION		
52	FU3-0430-000		1	GEAR, 29T/17T		

FIGURE & KEY NO.	PARTS NUMBER	RANK	Q'TY	DESCRIPTION	SERIAL NUMBER/REMARKS	SVC
53	FU3-0431-000		1	GEAR, 51T/15T		
54	FU3-0432-000		1	GEAR, 51T		
55	FU3-0433-000		1	GEAR, 18T		
56	FU3-0434-000		1	GEAR, 28T/17T		
57	FU3-0435-000		1	GEAR, 28T/17T		
58	FU3-0436-000		2	GEAR, 17T		
59	FU3-0437-000		2	GEAR, 17T		
60	MB5-0232-000		1	ROD, DEVELOPING ANTENA		
61	MF4-0008-000		1	SEAL, MAGNET, RIGHT		
62	MF4-0009-000		1	SEAL, MAGNET, LEFT		
63	FS7-2930-000		2	SPRING, COMPRESSION		
64	XA9-0663-000		3	SCREW, W/WASHER, M3X6		
65	XA9-0770-000		2	SCREW,P,M3X12		
501	XB1-2300-807		3	SCREW,MACH.,TRUSS HEAD,M3X8		
502	XB4-5300-806		12	SCREW,P,M3X8		
503	XD2-1100-502		1	RING,E		

FIGURE 810
FIXING ASSEMBLY

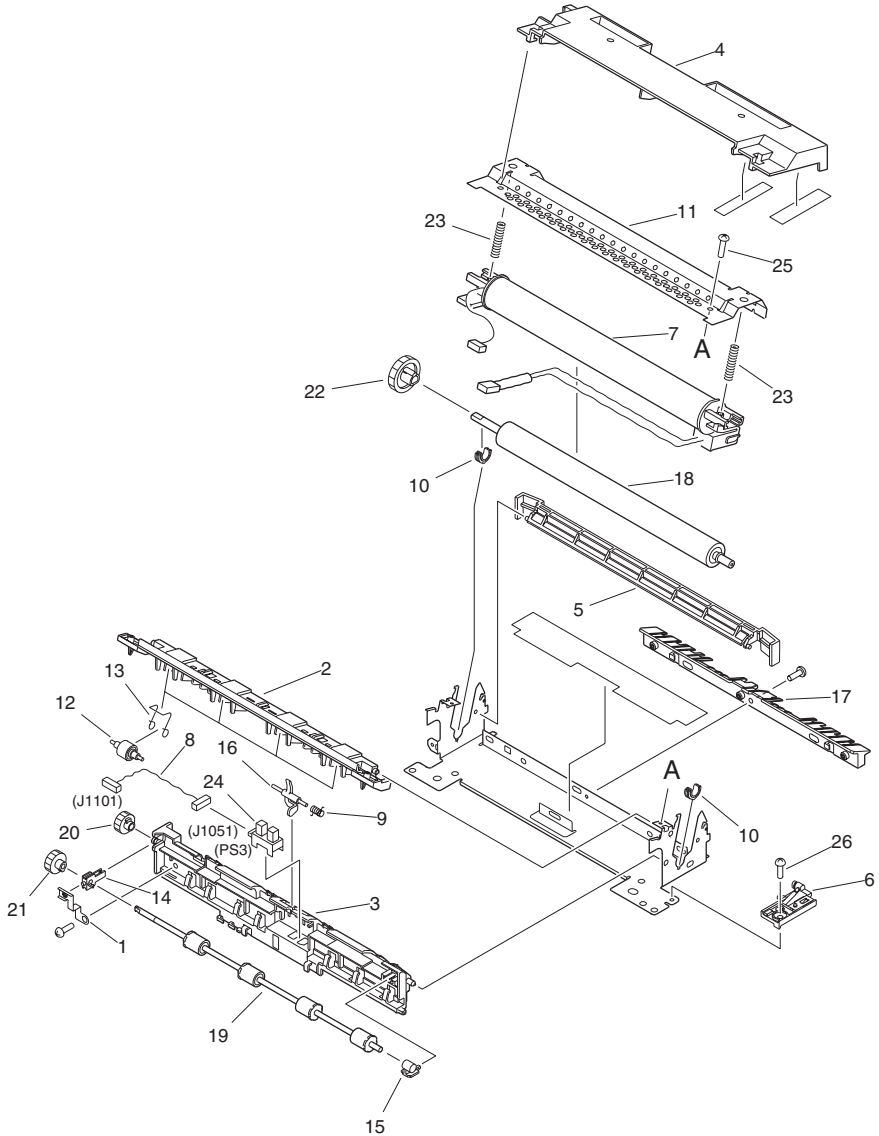


FIGURE & KEY NO.	PARTS NUMBER	R A N K	QTY	DESCRIPTION	SERIAL NUMBER/ REMARKS	S V C
Fig.810	FG6-7947-000		1	FIXING ASSEMBLY	ZTY,ZTW,ZTZ,ZUB	

FIGURE & KEY NO.	PARTS NUMBER	RANK	Q'TY	DESCRIPTION	SERIAL NUMBER/REMARKS	SVC
Fig.810	FG6-7945-000		1	FIXING ASSEMBLY	MTC,PVZ,QLT,UVB,UVC UVD,UVE,MTD,MTE,QTM UVF,UVG,UVH,UVJ,MTF MTG,UMA,UNA,UPA,QRE QRF	
Fig.810	FM5-0992-000		1	FIXING ASSEMBLY	JQE,JRK,JSD,JQF	
Fig.810	FM1-0470-000		1	FIXING ASSEMBLY	JRG,JRH,JRY,JSC,JSP,J SQ,JSR,JRJ,JQG,JQH,JC C,JRD,JRF,JRL,JRM,JRP, JRW,JRX,JSE,JSF,JSG,J SM,JSN	
1	FB6-0114-000		1	PLATE, GROUNDING		
2	FB6-0115-000		1	GUIDE, SEPARATION, UPPER		
3	FB6-0116-000		1	GUIDE, SEPARATION, LOWER		
4	FB6-0121-000		1	COVER, FIXING		
5	FB6-0122-000		1	GUIDE, FIXING INLET, UPPER		
6	FF6-1437-000		1	FIXING TERMINAL UNIT		
7	FG6-7948-000		1	FIXING FILM GUIDE ASSEMBLY	ZTY,ZTW,ZTZ,ZUB	
7	FG6-7946-000		1	FIXING FILM GUIDE ASSEMBLY	MTC,PVZ,QLT,UVB,UVC UVD,UVE,MTD,MTE,QTM UVF,UVG,UVH,UVJ,MTF MTG,UMA,UNA,UPA,QRE QRF	
7	FM5-1014-000		1	FIXING FILM GUIDE ASSEMBLY	JQE,JRK,JSD,JQF	
8	FG6-8849-000		1	CABLE, DELIVERY SENSOR	J1101,1051	
9	FS7-2700-000		1	SPRING, TORSION		
10	RB2-2973-000		2	BUSHING		
11	RB2-2975-000		1	PLATE, PRESSURE		
12	RB2-2977-000		4	ROLLER, DELIVERY		
13	RB2-2978-000		4	SPRING, COMPRESSION		
14	RB2-2985-000		1	BUSHING		
15	RB2-2986-000		1	BUSHING		
16	RB2-6402-000		1	LEVER, DELIVERY		
17	RB2-6357-000		1	GUIDE, ENTRANCE		
18	RF5-2601-000		1	ROLLER, PRESSURE		
19	RF5-2603-000		1	ROLLER, DELIVERY		
20	RS6-0442-000		1	GEAR, 14T		
21	RS6-0443-000		1	GEAR, 15T		

FIGURE & KEY NO.	PARTS NUMBER	RANK	Q'TY	DESCRIPTION	SERIAL NUMBER/REMARKS	SVC
22	RS6-0458-000		1	GEAR, 26T		
23	RS6-2029-000		2	SPRING, COMPRESSION	iR1210,iR1230,iR1270F,iR1310,iR1330,iR1370F	
23	FE5-3194-000		2	SPRING, COMPRESSION	iR1510,iR1530,iR1570F,iR1610,iR1630,iR1670F	
24	WG8-5309-000		1	PHOTO-INTERRUPTER	PS3 J1051	
25	XA9-0836-000		2	SCREW,TP,M3X6		
26	XA9-0924-000		3	SCREW,W/WASHER,M3X8		

FIGURE 930 PCB ASSEMBLY

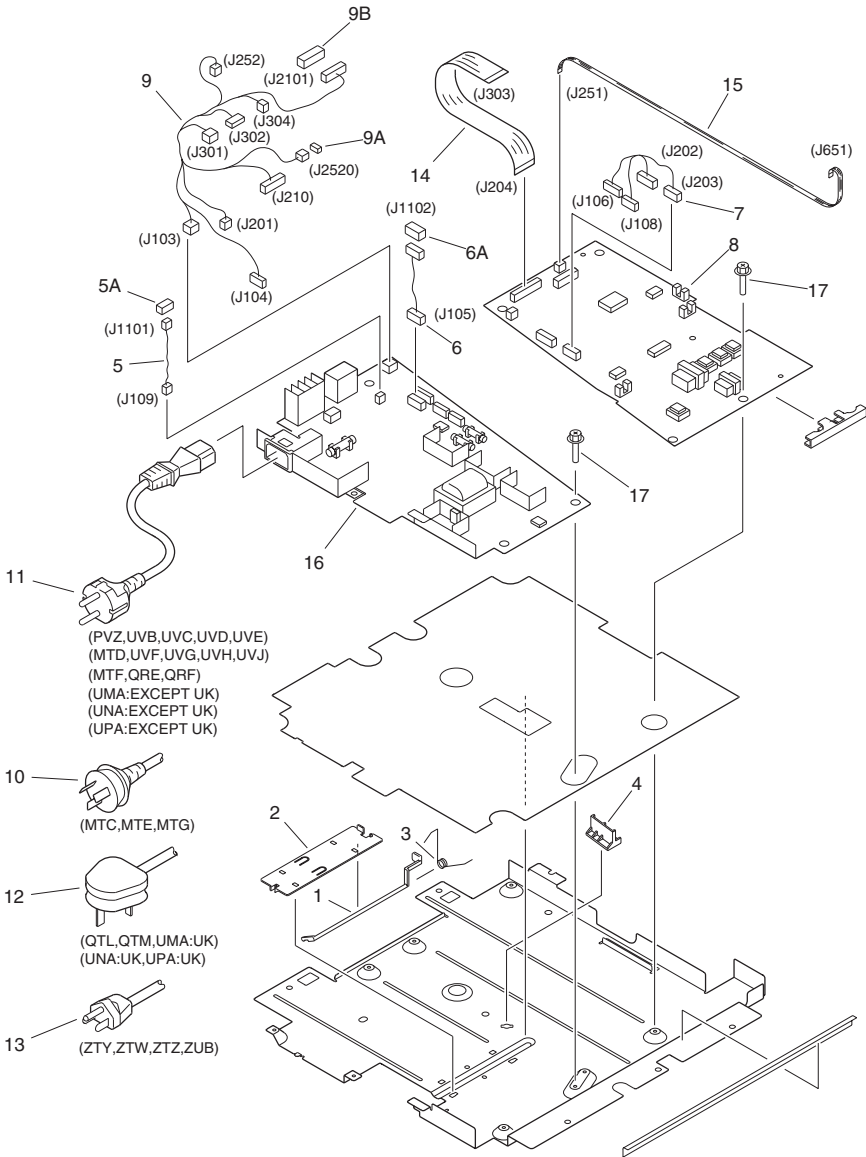


FIGURE & KEY NO.	PARTS NUMBER	R A N K	Q'TY	DESCRIPTION	SERIAL NUMBER/ REMARKS	S V C
Fig.930	NPN		RF	PCB ASSEMBLY		
1	FB6-0290-000		1	FLAG, SENSOR, 2		
2	FB6-0292-000		1	HOLDER, SENSOR FLAG		
3	FB6-0293-000		1	SPRING, TORSION		
4	FB6-0295-000		1	SPACER, CONTROLLER MOUNT		
5	FG6-8547-000		1	CABLE, PAPER DELIVERY SENSOR	J109,1101	
5A	VS1-5057-003		1	CONNECTOR, SNAP TIGHT	J1101	
6	FG6-8548-000		1	CABLE, THRMISTOR	J105,1102	
6A	VS1-5057-004		1	CONNECTOR, SNAP TIGHT	J1102	
7	FG6-8833-000		1	CABLE, POWER SUPPLY/DC	J106,108,202,203	
8	FG6-9555-000		1	DC CONTROLLER PCB ASSEMBLY	iR1210,iR1230,iR1270F,iR1310,iR1330,iR1370F	
8	FM1-0443-000		1	DC CONTROLLER PCB ASSEMBLY	iR1510,iR1530,iR1570F,iR1610,iR1630,iR1670F	
9	FG6-9852-000		1	CABLE, TONER FULL SENSOR, 2	J103,104,201,210,252 J301,302,304,2101 J2520	
9A	VS1-5057-003		1	CONNECTOR, SNAP TIGHT	J2520	
9B	VS1-5057-011		1	CONNECTOR, SNAP TIGHT	J2101	
10	FH2-5276-030		1	CORD, POWER SUPPLY	MTC,MTE,MTG	
11	FH2-7080-000		1	CORD, POWER SUPPLY	PVZ,UVB,UVC,UVD,UVE MTD,UVF,UVG,UVH,UVJ MTF,QRE,QRF UMA:EXCEPT UK UNA:EXCEPT UK UPA:EXCEPT UK	
12	FH2-5762-000		1	CORD, POWER SUPPLY	QTL,QTM,UMA:UK UNA:UK,UPA:UK	
13	FH2-6578-000		1	CORD, POWER SUPPLY	ZTY,ZTW,ZTZ,ZUB	
14	FH2-6933-000		1	CABLE, FLAT	J204,303	
15	FH2-7012-000		1	CABLE, FLAT	J251,651	
16	FH3-2639-000		1	DC POWER SUPPLY PCB ASSEMBLY	ZTY,ZTW,ZTZ,ZUB	
16	FH3-2651-000		1	DC POWER SUPPLY PCB ASSEMBLY	PVZ,MTC,MTD,MTE,MTF MTG,QRE,QRF	
16	FH3-2643-000		1	DC POWER SUPPLY PCB ASSEMBLY	QTL,UVB,UVC,UVD,UVE QTM,UVF,UVG,UVH,UVJ UMA,UNA,UPA	
17	XA9-1164-000		9	SCREW,RS,M3X6.5		

FIGURE 950 IMAGE PROCESSOR PCB ASSEMBLY

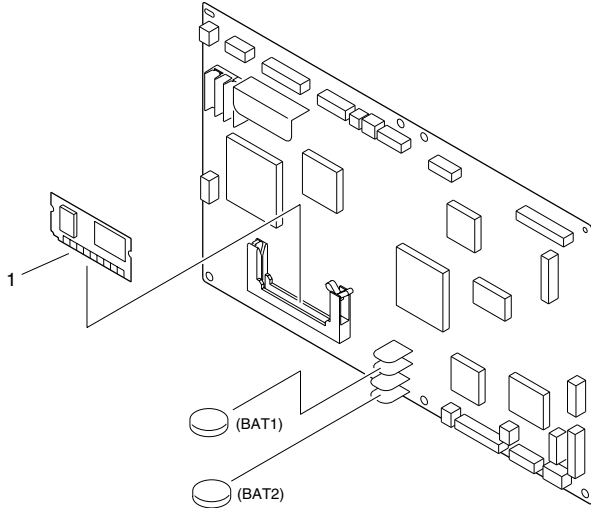
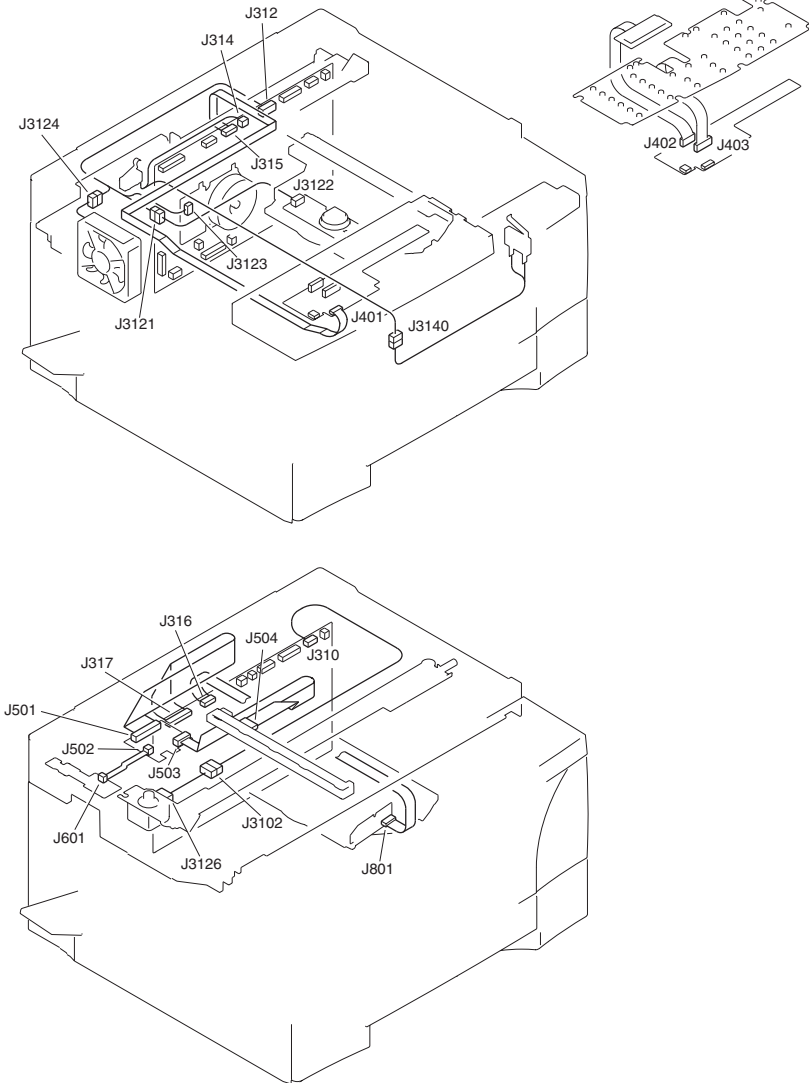
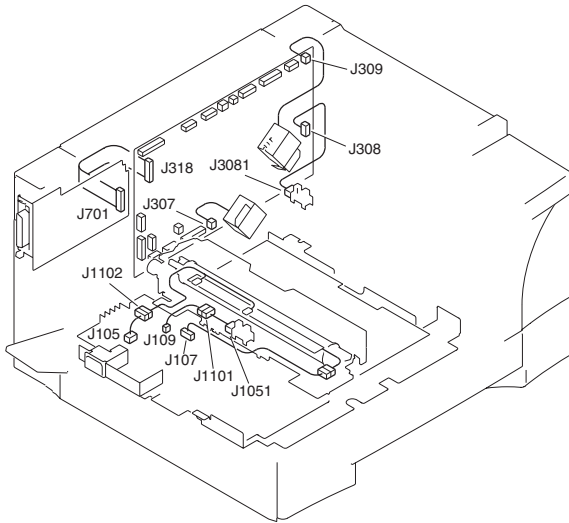
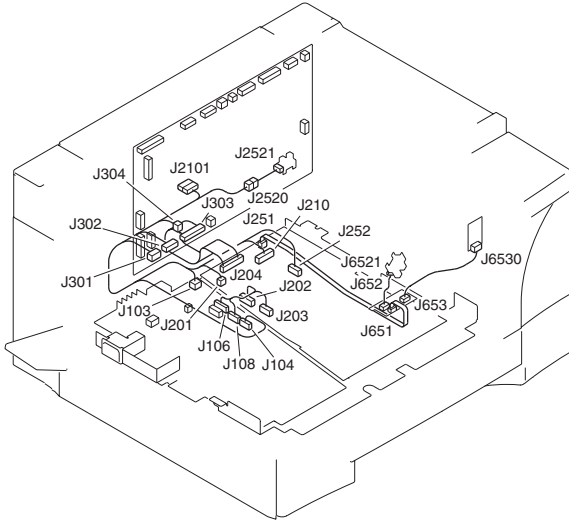


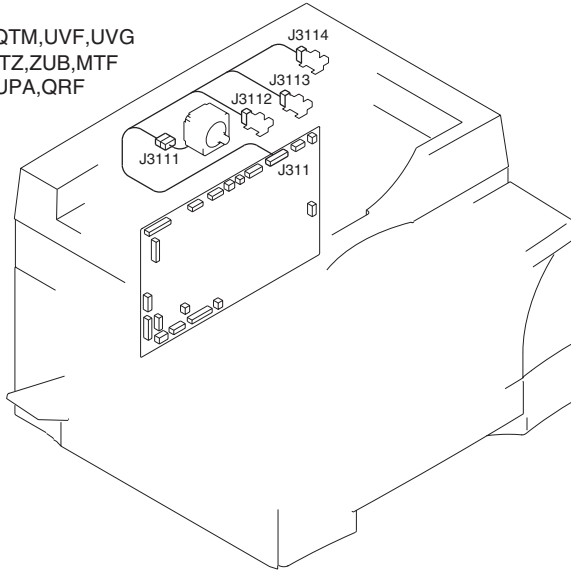
FIGURE & KEY NO.	PARTS NUMBER	RANK	QTY	DESCRIPTION	SERIAL NUMBER/REMARKS	SVC
Fig.950	FG6-9577-000		1	IMAGE PROCESSOR PCB ASSEMBLY	ZTY,MTC,PVZ,QL,UVB UVC,UVD,UVE,ZTW	
Fig.950	FG6-9575-000		1	IMAGE PROCESSOR PCB ASSEMBLY	MTD,MTE,QT,M,UVF,UVG UVH,UVJ,ZTZ	
Fig.950	FG6-9573-000		1	IMAGE PROCESSOR PCB ASSEMBLY	ZUB	
Fig.950	FM1-0451-000		1	IMAGE PROCESSOR PCB ASSEMBLY	JQE,JQF,JRG,JRH,JRJ,J QG,JQH,JRC,JRD,JRF	
Fig.950	FM1-0452-000		1	IMAGE PROCESSOR PCB ASSEMBLY	JRK,JRY,JSC,JRL,JRM,J RP,JRW,JRX	
Fig.950	FM1-0453-000		1	IMAGE PROCESSOR PCB ASSEMBLY	JSD,JSP,JSQ,JSR,JSE,J SF,JSG,JSM,JSN	
1	FG6-9560-000		1	DIMM ASS'Y		
BAT1	WK1-5112-000		1	LITHIUM BATTERY, CR2450VN75N		
BAT2	WK1-5133-000		1	BATTERY, LI-AI/V205,VL2330/G1C		

FIGURE B LIST OF CONNECTORS





MTD,MTE,QTM,UVF,UVG
 UVH,UVJ,ZTZ,ZUB,MTF
 MTG,UNA,UPA,QRF



ZUB,MTF,MTG,UPA,QRF

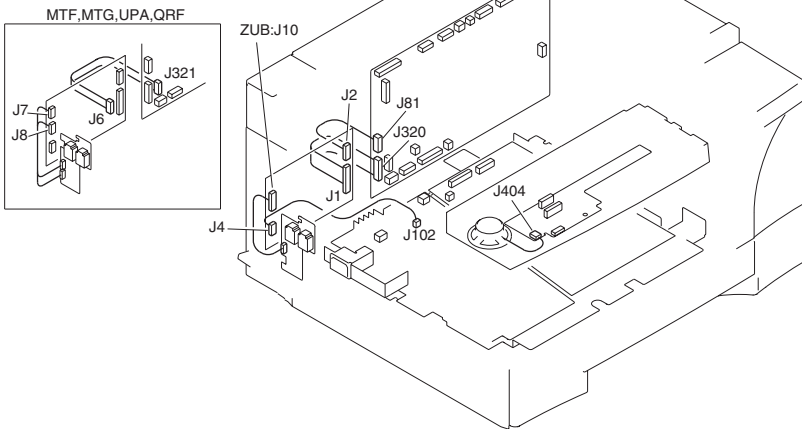


FIGURE & KEY NO.	PARTS NUMBER	RANK	QTY	DESCRIPTION	SERIAL NUMBER/REMARKS	SVC
Fig.B	NPN		RF	LIST OF CONNECTORS		
J1	PCB			NCU BOARD	ZUB,MTF,MTG,UPA,QRF	

FIGURE & KEY NO.	PARTS NUMBER	RANK	Q'TY	DESCRIPTION	SERIAL NUMBER/REMARKS	SVC
J1	FH2-6936-000		1	CABLE, FLAT	ZUB,MTF,MTG,UPA,QRF	
J2	PCB			NCU BOARD	ZUB,MTF,MTG,UPA,QRF	
J2	VS3-5080-006		1	CONNECTOR, 6P, FEMALE	ZUB,MTF,MTG,UPA,QRF	
J2	WT1-5155-000		6	TERMINAL	ZUB,MTF,MTG,UPA,QRF	
J4	PCB			NCU BOARD	ZUB,QRF	
J4	VS3-5080-002		1	CONNECTOR, 2P, MALE	ZUB,QRF	
J4	WT1-5155-000		2	TERMINAL	ZUB,QRF	
J6	PCB			NCU BOARD	MTF,MTG,UPA,QRF	
J6	FH2-6935-000		1	CABLE, FLAT	MTF,MTG,UPA,QRF	
J7	PCB			NCU BOARD	MTF,MTG,UPA,QRF	
J7	PCB			MODULAR BOARD	MTF,MTG,UPA,QRF	
J8	PCB			NCU BOARD	MTF,MTG,UPA,QRF	
J8	PCB			MODULAR BOARD	MTF,MTG,UPA,QRF	
J10	PCB			NCU BOARD	ZUB	
J10	PCB			MODULAR BOARD	ZUB	
J81	PCB			IMAGE PROCESSOR	ZUB,MTF,MTG,UPA,QRF	
J81	VS3-5080-006		1	CONNECTOR, 6P, FEMALE	ZUB,MTF,MTG,UPA,QRF	
J81	WT1-5155-000		6	TERMINAL	ZUB,MTF,MTG,UPA,QRF	
J102	PCB			DC POWER SUPPLY	ZUB,MTF,MTG,UPA,QRF	
J102	VS3-5080-002		1	CONNECTOR, 2P, MALE	ZUB,MTF,MTG,UPA,QRF	
J102	WT1-5155-000		2	TERMINAL	ZUB,MTF,MTG,UPA,QRF	
J103	PCB			DC POWER SUPPLY		
J103	VS1-5824-004		1	CONNECTOR, 4P, FEMALE		
J103	WS3-5358-000		4	SOCKET CONTACT, 22-26AWG		
J104	PCB			DC POWER SUPPLY		
J104	VS1-6314-008		1	CONNECTOR, 8P, FEMALE		
J105	PCB			DC POWER SUPPLY		
J105	VS1-0842-004		1	CONNECTOR, 4P, FEMALE		
J106	PCB			DC POWER SUPPLY		
J106	VS1-6314-010		1	CONNECTOR, 10P, FEMALE		
J107	PCB			DC POWER SUPPLY		
J107	VS3-5118-003		1	CONNECTOR, 3P, FEMALE		

FIGURE & KEY NO.	PARTS NUMBER	R A N K	Q'TY	DESCRIPTION	SERIAL NUMBER/REMARKS	S V C
J107	WS3-1226-000		2	SOCKET CONTACT		
J108	PCB			DC POWER SUPPLY		
J108	VS1-6314-009		1	CONNECTOR, 9P, FEMALE		
J109	PCB			DC POWER SUPPLY		
J109	VS1-0842-003		1	CONNECTOR, 3P, FEMALE		
J201	PCB			DC CONTROLLER		
J201	VS1-0842-003		1	CONNECTOR, 3P, FEMALE		
J202	PCB			DC CONTROLLER		
J202	VS1-6314-010		1	CONNECTOR, 10P, FEMALE		
J203	PCB			DC CONTROLLER		
J203	VS1-6314-009		1	CONNECTOR, 9P, FEMALE		
J204	PCB			DC CONTROLLER		
J204	FH2-6933-000		1	CABLE, FLAT		
J210	PCB			DC CONTROLLER		
J210	VS1-6321-011		1	CONNECTOR, 11P, FEMALE		
J251	PCB			DC CONTROLLER		
J251	FH2-7012-000		1	CABLE, FLAT		
J252	PCB			DC CONTROLLER		
J252	VS1-6314-003		1	CONNECTOR, 3P, FEMALE		
J301	PCB			IMAGE PROCESSOR		
J301	VS1-5824-004		1	CONNECTOR, 4P, FEMALE		
J301	WS3-5358-000		4	SOCKET CONTACT, 22-26AWG		
J302	PCB			IMAGE PROCESSOR		
J302	VS1-6314-008		1	CONNECTOR, 8P, FEMALE		
J303	PCB			IMAGE PROCESSOR		
J303	FH2-6933-000		1	CABLE, FLAT		
J304	PCB			IMAGE PROCESSOR		
J304	VS1-0842-003		1	CONNECTOR, 3P, FEMALE		
J307	PCB			IMAGE PROCESSOR		
J307	NPN			CASSETTE PICK-UP SOLENOID	SL2	
J308	PCB			IMAGE PROCESSOR		
J308	VS1-6314-003		1	CONNECTOR, 3P, FEMALE		

FIGURE & KEY NO.	PARTS NUMBER	RANK	Q'TY	DESCRIPTION	SERIAL NUMBER/REMARKS	SVC
J309	PCB			IMAGE PROCESSOR		
J309	NPN			MANUAL FEED PICK-UP SOLENOID	SL1	
J310	PCB			IMAGE PROCESSOR		
J310	VS1-6314-004		1	CONNECTOR, 4P, FEMALE		
J311	PCB			IMAGE PROCESSOR	MTD,MTE,QTM,UVF,UVG UVH,UVJ,ZTZ,ZUB,MTF MTG,UNA,UPA,QRF	
J311	VS1-6757-015		1	CONNECTOR, 15P, FEMALE	MTD,MTE,QTM,UVF,UVG UVH,UVJ,ZTZ,ZUB,MTF MTG,UNA,UPA,QRF	
J311	WS3-5721-000		15	SOCKET CONTACT	MTD,MTE,QTM,UVF,UVG UVH,UVJ,ZTZ,ZUB,MTF MTG,UNA,UPA,QRF	
J312	PCB			IMAGE PROCESSOR		
J312	VS1-6314-010		1	CONNECTOR, 10P, FEMALE		
J314	PCB			IMAGE PROCESSOR		
J314	VS1-6302-003		1	CONNECTOR, 3P, FEMALE		
J314	WS3-5569-000		2	SOCKET CONTACT, 22-28AWG		
J315	PCB			IMAGE PROCESSOR		
J315	FH2-6932-000		1	CABLE, FLAT		
J316	PCB			IMAGE PROCESSOR		
J316	FH2-6934-000		1	CABLE, FLAT	iR1210,iR1230,iR1270F,iR 1310,iR1330,iR1370F	
J316	FH2-7067-000		1	CABLE, FLAT	iR1510,iR1530,iR1570F,iR 1610,iR1630,iR1670F	
J317	PCB			IMAGE PROCESSOR		
J317	FF6-1443-000		1	CABLE, FLAT		
J318	PCB			IMAGE PROCESSOR		
J318	FH2-6937-000		1	CABLE, FLAT	iR1210,iR1230,iR1270F,iR 1310,iR1330,iR1370F	
J318	FH2-7070-000		1	CABLE, FLAT	iR1510,iR1530,iR1570F,iR 1610,iR1630,iR1670F	
J320	PCB			IMAGE PROCESSOR	ZUB,MTF,MTG,UPA,QRF	
J320	FH2-6936-000		1	CABLE, FLAT	ZUB,MTF,MTG,UPA,QRF	
J321	PCB			IMAGE PROCESSOR	MTF,MTG,UPA,QRF	
J321	FH2-6935-000		1	CABLE, FLAT	MTF,MTG,UPA,QRF	
J352	PCB			IMAGE PROCESSOR		

FIGURE & KEY NO.	PARTS NUMBER	RANK	Q'TY	DESCRIPTION	SERIAL NUMBER/REMARKS	SVC
J352	VS1-6314-007		1	CONNECTOR, 7P, FEMALE		
J391	PCB			SERIAL NUMBER		
J391	VS1-6314-007		1	CONNECTOR, 7P, FEMALE		
J401	PCB			CONTROL PANEL		
J401	FH2-6932-000		1	CABLE, FLAT		
J402	PCB			CONTROL PANEL		
J402	NPN			LCD PANEL		
J403	PCB			CONTROL PANEL		
J403	NPN			MEMBRANE SWITCH		
J404	PCB			CONTROL PANEL	ZUB,MTF,MTG,UPA,QRF	
J404	NPN			SPEAKER	ZUB,MTF,MTG,UPA,QRF SP1	
J501	PCB			ANALOG PROCESSOR		
J501	FF6-1443-000		1	CABLE, FLAT		
J502	PCB			ANALOG PROCESSOR		
J502	FH2-6931-000		1	CABLE, FLAT		
J503	PCB			ANALOG PROCESSOR		
J503	FH2-7062-000		1	CABLE, FLAT		
J504	NPN			CONTACT SENSOR		
J504	FH2-6929-000		1	CABLE, FLAT		
J601	PCB			READER SENSOR		
J601	FH2-6931-000		1	CABLE, FLAT		
J651	PCB			SENSOR CONNECT		
J651	FH2-7012-000		1	CABLE, FLAT		
J652	PCB			SENSOR CONNECT		
J652	VS1-0861-003		1	CONNECTOR, 3P, FEMALE		
J653	PCB			SENSOR CONNECT		
J653	VS1-5076-003		1	CONNECTOR, 3P, FEMALE		
J701	PCB			PRINTER CONTROLLER		
J701	FH2-7070-000		1	CABLE, FLAT		
J801	NPN			LASER UNIT		
J801	FH2-6934-000		1	CABLE, FLAT	iR1210,iR1230,iR1270F,iR 1310,iR1330,iR1370F	

FIGURE & KEY NO.	PARTS NUMBER	R A N K	Q'TY	DESCRIPTION	SERIAL NUMBER/ REMARKS	S V C
J801	FH2-7067-000		1	CABLE, FLAT	iR1510,iR1530,iR1570F,iR1610,iR1630,iR1670F	
J1051	NPN			DELIVERY SENSOR	PS3	
J1051	VS1-0842-003		1	CONNECTOR, 3P, FEMALE		
J1101	VS1-0842-003		2	CONNECTOR, 3P, FEMALE		
J1101	VS1-5057-003		1	CONNECTOR, SNAP TIGHT		
J1102	NPN			THERMISTOR	TH1,TH2	
J1102	VS1-0842-004		1	CONNECTOR, 4P, FEMALE		
J1102	VS1-5057-004		1	CONNECTOR, SNAP TIGHT		
J2101	SYS			FOR FACTORY		
J2101	VS1-5057-011		1	CONNECTOR, SNAP TIGHT		
J2101	VS1-6321-011		1	CONNECTOR, 11P, FEMALE		
J2520	VS1-5057-003		1	CONNECTOR, SNAP TIGHT		
J2520	VS1-6321-003		2	CONNECTOR, 3P, FEMALE		
J2521	NPN			WASTE TONER SENSOR	PS10	
J2521	VS1-6321-003		1	CONNECTOR, 3P, FEMALE		
J3081	NPN			MANUAL FEED TRAY PAPER SENSOR	PS4	
J3081	VS1-6321-003		1	CONNECTOR, 3P, FEMALE		
J3102	VS1-5057-004		1	CONNECTOR, SNAP TIGHT		
J3102	VS1-5824-004		1	CONNECTOR, 4P, FEMALE		
J3102	VS1-6321-004		1	CONNECTOR, 4P, FEMALE		
J3102	WS3-5358-000		4	SOCKET CONTACT, 22-26AWG		
J3111	NPN			ADF MOTOR	MTD,MTE,QTm,UVF,UVG UVH,UVJ,ZTZ,ZUB,MTF MTG,UNA,UPA,QRF M3	
J3111	VS1-5057-006		1	CONNECTOR, SNAP TIGHT	MTD,MTE,QTm,UVF,UVG UVH,UVJ,ZTZ,ZUB,MTF MTG,UNA,UPA,QRF	
J3111	VS1-5824-006		1	CONNECTOR, 6P, FEMALE	MTD,MTE,QTm,UVF,UVG UVH,UVJ,ZTZ,ZUB,MTF	
J3111	VS1-5824-006		1	CONNECTOR, 6P, FEMALE	MTG,UNA,UPA,QRF	
J3111	WS3-5358-000		6	SOCKET CONTACT, 22-26AWG	MTD,MTE,QTm,UVF,UVG UVH,UVJ,ZTZ,ZUB,MTF MTG,UNA,UPA,QRF	
J3112	NPN			ORIGINAL SENSOR	MTD,MTE,QTm,UVF,UVG UVH,UVJ,ZTZ,ZUB,MTF MTG,UNA,UPA,QRF PS6	

FIGURE & KEY NO.	PARTS NUMBER	RANK	Q'TY	DESCRIPTION	SERIAL NUMBER/REMARKS	SVC
J3112	VS1-6094-003		1	CONNECTOR, 3P, FEMALE	MTD,MTE,QTU,UVF,UVG UVH,UVJ,ZTZ,ZUB,MTF MTG,UNA,UPA,QRF	
J3112	WS3-5358-000		3	SOCKET CONTACT, 22-26AWG	MTD,MTE,QTU,UVF,UVG UVH,UVJ,ZTZ,ZUB,MTF MTG,UNA,UPA,QRF	
J3113	NPN			REGISTRATION SENSOR	MTD,MTE,QTU,UVF,UVG UVH,UVJ,ZTZ,ZUB,MTF MTG,UNA,UPA,QRF PS7	
J3113	VS1-5824-003		1	CONNECTOR, 3P, FEMALE	MTD,MTE,QTU,UVF,UVG UVH,UVJ,ZTZ,ZUB,MTF MTG,UNA,UPA,QRF	
J3113	WS3-5358-000		3	SOCKET CONTACT, 22-26AWG	MTD,MTE,QTU,UVF,UVG UVH,UVJ,ZTZ,ZUB,MTF MTG,UNA,UPA,QRF	
J3114	NPN			ORIGINAL DELIVERY SENSOR	MTD,MTE,QTU,UVF,UVG UVH,UVJ,ZTZ,ZUB,MTF MTG,UNA,UPA,QRF PS8	
J3114	VS1-5824-003		1	CONNECTOR, 3P, FEMALE	MTD,MTE,QTU,UVF,UVG UVH,UVJ,ZTZ,ZUB,MTF MTG,UNA,UPA,QRF	
J3114	WS3-5358-000		3	SOCKET CONTACT, 22-26AWG	MTD,MTE,QTU,UVF,UVG UVH,UVJ,ZTZ,ZUB,MTF MTG,UNA,UPA,QRF	
J3121	VS1-0842-004		1	CONNECTOR, 4P, FEMALE		
J3121	VS1-5057-004		1	CONNECTOR, SNAP TIGHT		
J3121	VS1-6321-004		1	CONNECTOR, 4P, FEMALE		
J3122	NPN			SCANNER MOTOR	M4	
J3122	VS1-6225-004		1	CONNECTOR, 4P, FEMALE		
J3123	NPN			MAIN MOTOR	M1	
J3123	VS1-6321-003		1	CONNECTOR, 3P, FEMALE		
J3124	NPN			EXHAUST FAN	FM1	
J3124	VS1-5057-003		1	CONNECTOR, SNAP TIGHT		
J3124	VS1-6320-003		1	CONNECTOR, 3P, FEMALE		
J3126	NPN			READER MOTOR	M2	
J3126	VS3-0320-006		1	CONNECTOR, 6P, FEMALE		
J3126	WS3-1309-000		4	SOCKET CONTACT, 28AWG		
J3140	NPN			FRONT DOOR SWITCH	SW2	
J3140	VS1-0279-003		1	CONNECTOR, 3P, FEMALE		
J3140	WS3-0437-000		2	SOCKET CONTACT, 20-30AWG		

FIGURE & KEY NO.	PARTS NUMBER	RANK	Q'TY	DESCRIPTION	SERIAL NUMBER/REMARKS	SVC
J6521	NPN			BOTTLE SET SENSOR	PS11	
J6521	VS1-0842-003		1	CONNECTOR, 3P, FEMALE		
J6530	NPN			HUMIDITY SENSOR	HS	
J6530	VS1-5076-003		1	CONNECTOR, 3P, FEMALE		

Prepared by
OFFICE IMAGING PRODUCTS QUALITY ASSURANCE CENTER
CANON INC.

Canon